



DIGITOUCH TECHNOLOGIES PVT LTD
ISO 9001 : 2008 certified



TM

9 Electric

Powered up

PRODUCT CATALOGUE

Industrial Plugs

Industrial Sockets

Industrial Connectors

Industrial Socket with Interlock Switches

Power Socket Distribution Boards



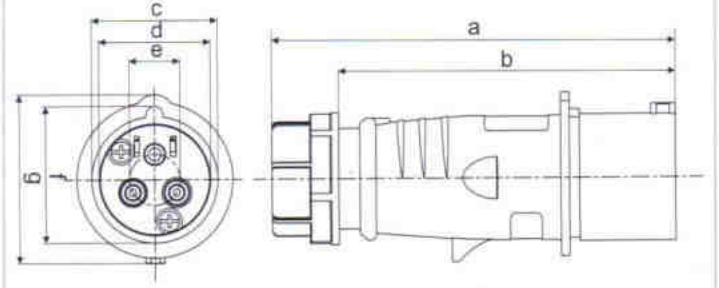
CONFORMS TO IEC STANDARDS



CEE/IEC International Standard Plug

Conform to European / international standards EN/IEC 60309-2

IP44 CEE/IEC Plug



| Current | Poles | 230V 50-60Hz 6h | | 400V 50-60Hz 6h | |
|---------|-------|--------------------|--|--------------------|--|
| | | | | | |

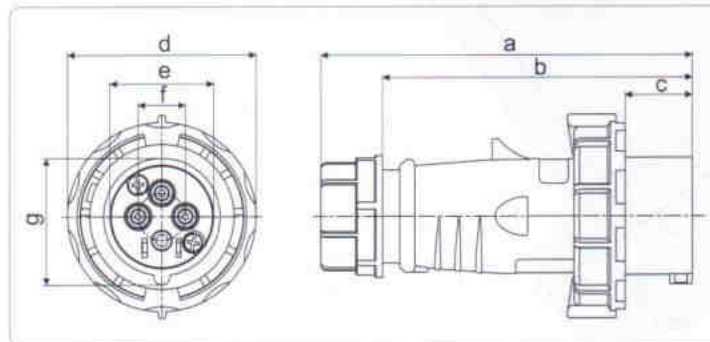
Dimensions in mm

| Amp | 16 / 20 | | | 32 | | | 63 | | | | |
|---|---------|------|---------|------|------|---|-------|-------|-------|--|--|
| Poles | 3 | 4 | 5 | 3 | 4 | 5 | 3 | 4 | 5 | | |
| a | 137 | 142 | 144 | 173 | 173 | 177 | 238.9 | 238.9 | 238.9 | | |
| b | 110 | 119 | 121 | 144 | 144 | 148 | 179.4 | 179.4 | 179.4 | | |
| c | 43.5 | 49.5 | 56 | 57 | 57 | 63.3 | 69.1 | 69.1 | 69.1 | | |
| d | 38.5 | 43.8 | 50 | 51 | 51 | 56.5 | 63 | 63 | 63 | | |
| e | 17.5 | 21.5 | 26.5 | 25 | 25 | 30.3 | 36.5 | 36.5 | 36.5 | | |
| f | 47 | 52 | 60 | 62 | 62 | 68.7 | 75.3 | 75.3 | 75.3 | | |
| g | 58 | 66.7 | 75 | 80.7 | 80.7 | 89 | 100.1 | 100.1 | 100.1 | | |
| Conductor crosssectional area (mm ²)Min. To Max | | | 1.5-2.5 | | | Conductor crosssectional area (mm ²)Min. To Max | | | 4-6 | | |
| Conductor crosssectional area (mm ²)Min. To Max | | | 1.5-2.5 | | | Conductor crosssectional area (mm ²)Min. To Max | | | 4-6 | | |
| Conductor crosssectional area (mm ²)Min. To Max | | | 1.5-2.5 | | | Conductor crosssectional area (mm ²)Min. To Max | | | 10-16 | | |

Model No.

| | | | |
|---------|---|---------------|---------------|
| 16 / 20 | 3 | 9E248 | • 9E249 |
| | 4 | • 9E251 | 9E252 |
| | 5 | • 9E257 | 9E3 |
| 32 | 3 | 9E260 | • 9E261 |
| | 4 | • 9E263 | 9E264 |
| | 5 | • 9E269 | 9E4 |
| 63 | 3 | 9E1227 | • 9E1228 |
| | 4 | • 9E1230 | 9E1231 |
| | 5 | • 9E1234 | 9E1235 |

IP67 CEE/IEC Plug



| Current | Poles | 230V 50-60Hz 6h | | 400V 50-60Hz 6h | |
|---------|-------|--------------------|--|--------------------|--|
| | | | | | |

Dimensions in mm

| Amp | 16 / 20 | | | 32 | | | 63 | | | 125 | | | | | | | |
|---|---------|------|---------|------|------|---|-------|-------|-------|------|------|---|--|--|-------|--|--|
| Poles | 3 | 4 | 5 | 3 | 4 | 5 | 3 | 4 | 5 | 3 | 4 | 5 | | | | | |
| a | 140 | 142 | 144 | 173 | 173 | 177 | 238.9 | 238.9 | 238.9 | 286 | 286 | 286 | | | | | |
| b | 116 | 119 | 121 | 144 | 144 | 148 | 179.5 | 179.5 | 179.5 | 219 | 219 | 219 | | | | | |
| c | 24.7 | 26 | 27 | 32.5 | 32.5 | 32.5 | 51.1 | 51.1 | 51.1 | 57 | 57 | 57 | | | | | |
| d | 70.2 | 78 | 87 | 93.3 | 93.3 | 101 | 112.9 | 112.9 | 112.9 | 133 | 133 | 133 | | | | | |
| e | 38.5 | 43.8 | 50 | 51 | 51 | 56.5 | 63 | 63 | 63 | 75.1 | 75.1 | 75.1 | | | | | |
| f | 17.5 | 21.5 | 26.5 | 25 | 25 | 30.3 | 36.5 | 36.5 | 36.5 | 42.5 | 42.5 | 42.5 | | | | | |
| g | 47 | 52 | 60 | 62 | 62 | 68.7 | 75.3 | 75.3 | 75.3 | 87.2 | 87.2 | 87.2 | | | | | |
| Conductor crosssectional area (mm ²)Min. To Max | | | 1.5-2.5 | | | Conductor crosssectional area (mm ²)Min. To Max | | | 4-6 | | | Conductor crosssectional area (mm ²)Min. To Max | | | 25-35 | | |

Model No.

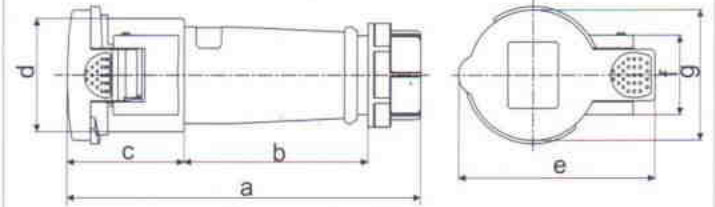
| | | | |
|---------|---|---------------|---------------|
| 16 / 20 | 3 | 9E278 | • 9E279 |
| | 4 | • 9E281 | 9E282 |
| | 5 | • 9E287 | 9E288 |
| 32 | 3 | 9E290 | • 9E291 |
| | 4 | • 9E293 | 9E294 |
| | 5 | • 9E299 | 9E300 |
| 63 | 3 | 9E1571 | • 9E1572 |
| | 4 | • 9E1109 | 9E1110 |
| | 5 | • 9E1113 | 9E1114 |
| 125 | 3 | 9E3400 | |
| | 4 | 9E1442 | 9E1443 |
| | 5 | 9E1446 | 9E1447 |

• Available on request

CEE/IEC International Standard Connector

Conform to European / international standards EN/IEC 60309-2

IP44 CEE/IEC Connector



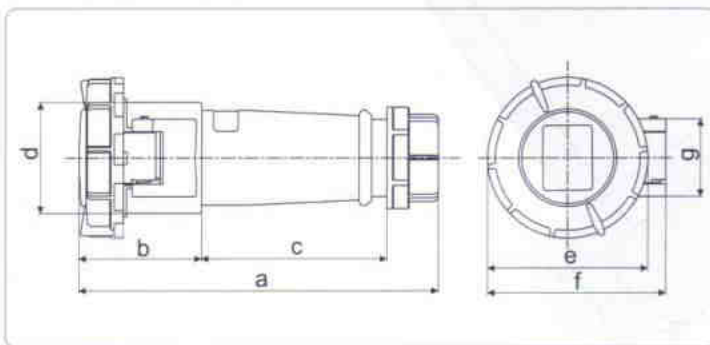
| Current | Poles | 230V | 400V |
|---------|-------|------------|------------|
| | | 50-60Hz 6h | 50-60Hz 6h |

Model No.

| Current | Poles | Model No. | |
|---------|-------|-----------|----------|
| | | 16/20 | 3 |
| | 4 | • 9E513 | 9E514 |
| | 5 | • 9E519 | 9E5 |
| 32 | 3 | 9E522 | • 9E523 |
| | 4 | • 9E525 | 9E526 |
| | 5 | • 9E531 | 9E6 |
| 63 | 3 | 9E1237 | • 9E1238 |
| | 4 | • 9E1240 | 9E1241 |
| | 5 | • 9E1244 | 9E1245 |

Dimensions in mm

| Amp | 16 / 20 | | | 32 | | | 63 | | | | | |
|---|---------|------|-------|---------|-------|-------|---|-------|-------|-------|--|--|
| | Poles | 3 | 4 | 5 | 3 | 4 | 5 | 3 | 4 | 5 | | |
| a | | 155 | 156.5 | 161.7 | 200 | 200 | 205 | 257 | 257 | 257 | | |
| b | | 80.6 | 82.3 | 88 | 106.5 | 106.5 | 108.7 | 112.5 | 112.5 | 112.5 | | |
| c | | 51.3 | 51.8 | 52.1 | 64.2 | 64.2 | 65 | 95 | 95 | 95 | | |
| d | | 49.5 | 55.7 | 63 | 64.2 | 64.2 | 70.8 | 77.4 | 77.4 | 77.4 | | |
| e | | 86 | 90 | 97 | 101.8 | 101.8 | 111 | 108 | 108 | 108 | | |
| f | | 34.7 | 37 | 37 | 37 | 37 | 37 | 34 | 34 | 34 | | |
| g | | 57 | 61.2 | 69 | 71.6 | 71.6 | 79.5 | 92 | 92 | 92 | | |
| Conductor crosssectional area (mm ²)Min. To Max | | | | 1.5-2.5 | | | Conductor crosssectional area (mm ²)Min. To Max | | | 4-6 | | |
| | | | | | | | Conductor crosssectional area (mm ²)Min. To Max | | | 10-16 | | |



IP67 CEE/IEC Connector



| Current | Poles | 230V | 400V |
|---------|-------|------------|------------|
| | | 50-60Hz 6h | 50-60Hz 6h |

Dimensions in mm

| Amp | 16 / 20 | | | 32 | | | 63 | | | 125 | | | | | | | | | | | | | | |
|---|---------|------|------|---------|------|------|---|-------|-------|-------|------|------|---|--|--|-------|--|--|---|--|--|-------|--|--|
| | Poles | 3 | 4 | 5 | 3 | 4 | 5 | 3 | 4 | 5 | 3 | 4 | 5 | | | | | | | | | | | |
| a | | 160 | 164 | 167 | 203 | 203 | 205.5 | 260 | 260 | 260 | 315 | 315 | 315 | | | | | | | | | | | |
| b | | 54.7 | 55.5 | 56.3 | 67.5 | 67.5 | 68 | 104 | 104 | 104 | 116 | 116 | 116 | | | | | | | | | | | |
| c | | 90 | 101 | 103 | 100 | 100 | 137.7 | 95 | 95 | 95 | 130 | 130 | 130 | | | | | | | | | | | |
| d | | 49.5 | 55.7 | 63 | 64.2 | 64.2 | 70.8 | 77.4 | 77.4 | 77.4 | 89.5 | 89.5 | 89.5 | | | | | | | | | | | |
| e | | 71.7 | 80.6 | 89 | 95.5 | 95.5 | 101.9 | 109 | 109 | 109 | 121 | 121 | 121 | | | | | | | | | | | |
| f | | 79.7 | 85.6 | 93 | 98.3 | 98.3 | 104.9 | 112.5 | 112.5 | 112.5 | 125 | 125 | 125 | | | | | | | | | | | |
| g | | 34.7 | 37 | 37 | 37 | 37 | 37 | 34 | 34 | 34 | 34.5 | 34.5 | 34.5 | | | | | | | | | | | |
| Conductor crosssectional area (mm ²)Min. To Max | | | | 1.5-2.5 | | | Conductor crosssectional area (mm ²)Min. To Max | | | 4-6 | | | Conductor crosssectional area (mm ²)Min. To Max | | | 10-16 | | | Conductor crosssectional area (mm ²)Min. To Max | | | 25-35 | | |

Model No.

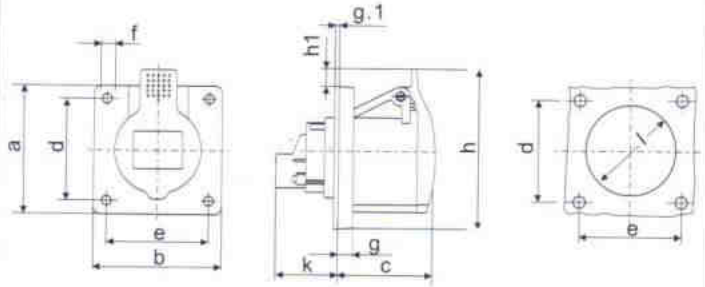
| Current | Poles | Model No. | |
|---------|-------|-----------|----------|
| | | 16/20 | 3 |
| | 4 | • 9E543 | 9E544 |
| | 5 | • 9E549 | 9E550 |
| 32 | 3 | 9E552 | • 9E553 |
| | 4 | • 9E555 | 9E556 |
| | 5 | • 9E561 | 9E562 |
| 63 | 3 | 9E1574 | • 9E1575 |
| | 4 | • 9E1116 | 9E1117 |
| | 5 | • 9E1120 | 9E1121 |
| 125 | 3 | 9E3390 | |
| | 4 | • 9E1449 | 9E1450 |
| | 5 | • 9E1453 | 9E1454 |

• Available on request

CEE/IEC International Standard Panel (STRAIGHT) Mounted Socket

Conform to European / International standards EN/IEC 60309-2

**IP44 Flange Size 75×75 mm(16A,32A),
Panel Mounted Socket**



| Current | Poles | 230V 50-60Hz 6h | | 400V 50-60Hz 6h | |
|---------|-------|--------------------|--|--------------------|--|
| | | | | | |

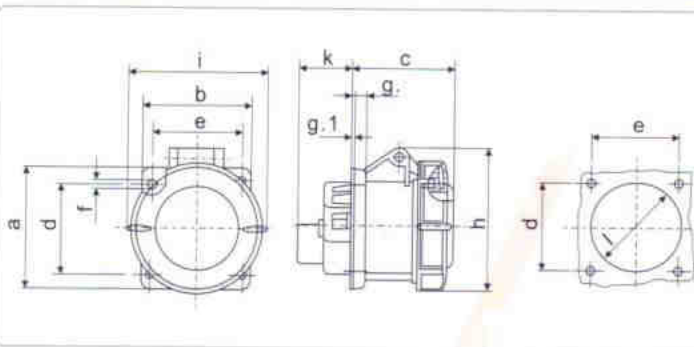
Dimensions in mm

| Amp | 16 / 20 | | | 32 | | | 63 | | |
|-------|---------|------|------|-----|-----|------|-----|-----|-----|
| Poles | 3 | 4 | 5 | 3 | 4 | 5 | 3 | 4 | 5 |
| a | 75 | 75 | 75 | 75 | 75 | 75 | 107 | 107 | 107 |
| b | 75 | 75 | 75 | 75 | 75 | 75 | 100 | 100 | 100 |
| c | 51 | 51.5 | 52 | 61 | 61 | 62 | 80 | 80 | 80 |
| d | 60 | 60 | 60 | 60 | 60 | 60 | 85 | 85 | 85 |
| e | 60 | 60 | 60 | 60 | 60 | 60 | 77 | 77 | 77 |
| f | 5.5 | 5.5 | 5.5 | 5.5 | 5.5 | 5.5 | 6.5 | 6.5 | 6.5 |
| g | 8 | 8 | 8 | 8 | 8 | 8 | 12 | 12 | 12 |
| g.1 | 2 | 2 | 2 | 2 | 2 | 2 | 2 | 2 | 2 |
| h | 84.6 | 90 | 94 | 96 | 96 | 102 | 113 | 113 | 113 |
| h1 | 9.6 | 15 | 19.2 | 20 | 20 | 21.4 | 5.5 | 5.5 | 5.5 |
| k | 33 | 33 | 34 | 41 | 41 | 41.5 | 55 | 55 | 55 |
| l | 44 | 52 | 54.5 | 58 | 58 | 62 | 88 | 88 | 88 |

Conductor crosssectional area (mm²)Min. To Max: 1.5-2.5 Conductor crosssectional area (mm²)Min. To Max: 4-6 Conductor crosssectional area (mm²)Min. To Max: 10-16

Model No.

| | | | |
|---------|---|---------------|---------------|
| 16 / 20 | 3 | 9E1366 | • 9E1367 |
| | 4 | • 9E1389 | 9E1390 |
| | 5 | • 9E1386 | 9E1385 |
| 32 | 3 | 9E1395 | • 9E1396 |
| | 4 | • 9E1398 | 9E1399 |
| | 5 | • 9E3454 | 9E3451 |
| 63 | 3 | 9E1261 | • 9E1262 |
| | 4 | • 9E1247 | 9E1248 |
| | 5 | • 9E1251 | 9E1252 |



**IP67 Flange Size 75x75 mm (16A), 85x75 mm (32A),
Panel Mounted Socket**



Dimensions in mm

| Amp | 16 / 20 | | | 32 | | | 63 | | | 125 | | |
|-------|---------|-----|-----|-----|-----|-----|-----|-----|-----|------|------|------|
| Poles | 3 | 4 | 5 | 3 | 4 | 5 | 3 | 4 | 5 | 3 | 4 | 5 |
| a | 75 | 75 | 75 | 85 | 85 | 85 | 107 | 107 | 107 | 130 | 130 | 130 |
| b | 75 | 75 | 75 | 75 | 75 | 75 | 100 | 100 | 100 | 130 | 130 | 130 |
| c | 55 | 56 | 59 | 68 | 68 | 69 | 84 | 84 | 84 | 116 | 116 | 116 |
| d | 60 | 60 | 60 | 60 | 60 | 60 | 85 | 85 | 85 | 104 | 104 | 104 |
| e | 60 | 60 | 60 | 60 | 60 | 60 | 77 | 77 | 77 | 104 | 104 | 104 |
| f | 5.5 | 5.5 | 5.5 | 5.5 | 5.5 | 5.5 | 6.5 | 6.5 | 6.5 | 6.5 | 6.5 | 6.5 |
| g | 10 | 10 | 10 | 10 | 10 | 10 | 14 | 14 | 14 | 19.5 | 19.5 | 19.5 |
| g.1 | 2 | 2 | 2 | 2 | 2 | 2 | 2 | 2 | 2 | 2 | 2 | 2 |
| h | 83 | 88 | 93 | 99 | 99 | 105 | 113 | 113 | 113 | 128 | 128 | 128 |
| l | 78 | 85 | 93 | 103 | 103 | 110 | 118 | 118 | 118 | 135 | 135 | 135 |
| k | 30 | 31 | 32 | 40 | 40 | 41 | 55 | 55 | 55 | 43 | 43 | 43 |
| l | 45 | 54 | 55 | 60 | 60 | 62 | 88 | 88 | 88 | 95 | 95 | 95 |

Conductor crosssectional area (mm²)Min. To Max: 1.5-2.5 Conductor crosssectional area (mm²)Min. To Max: 4-6 Conductor crosssectional area (mm²)Min. To Max: 10-16 Conductor crosssectional area (mm²)Min. To Max: 25-35

| Current | Poles | 230V 50-60Hz 6h | | 400V 50-60Hz 6h | |
|---------|-------|--------------------|--|--------------------|--|
| | | | | | |

Model No.

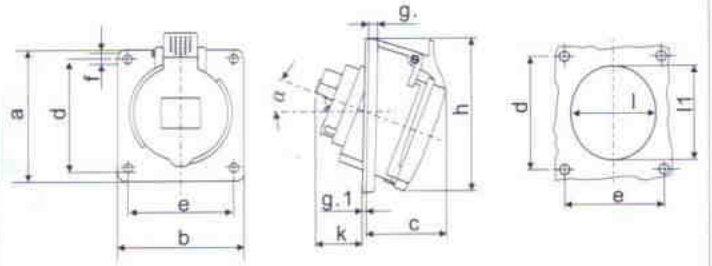
| | | | |
|---------|---|---------------|---------------|
| 16 / 20 | 3 | 9E218 | • 9E219 |
| | 4 | • 9E221 | 9E222 |
| | 5 | • 9E227 | 9E228 |
| 32 | 3 | 9E230 | • 9E231 |
| | 4 | • 9E233 | 9E234 |
| | 5 | • 9E239 | 9E240 |
| 63 | 3 | 9E1264 | • 9E1265 |
| | 4 | • 9E1123 | 9E1124 |
| | 5 | • 9E1127 | 9E1128 |
| 125 | 3 | 9E3380 | |
| | 4 | • 9E1456 | 9E1457 |
| | 5 | • 9E1460 | 9E1461 |

• Available on request

CEE/IEC International Standard Panel (ANGLED) Mounted Socket

Conform to European / international standards EN/IEC 60309-2

IP44 Flange Size 73.5×64 mm(16A,3P), 100×92mm(16A,4P/5P,32A),
Panel Mounted Socket



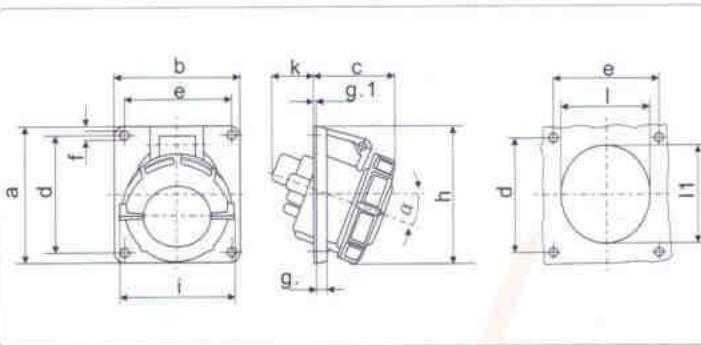
| Current | Poles | 230V 50-60Hz 6h | 400V 50-60Hz 6h |
|---------|-------|--------------------|--------------------|
|---------|-------|--------------------|--------------------|

Model No.

| | | | |
|-------|---|---------------|---------------|
| 16/20 | 3 | 9E1463 | •9E1464 |
| | 4 | •9E1466 | 9E1467 |
| | 5 | •9E1472 | 9E1473 |
| 32 | 3 | 9E1492 | •9E1493 |
| | 4 | •9E1495 | 9E1496 |
| | 5 | •9E1499 | 9E1500 |
| 63 | 3 | 9E1147 | •9E1148 |
| | 4 | •9E1150 | 9E1151 |
| | 5 | •9E1154 | 9E1155 |

Dimensions in mm

| Amp | 16 / 20 | | | 32 | | | 63 | | | | | |
|--|---------|-----|-----|---------|-----|-----|--|------|------|-------|--|--|
| Poles | 3 | 4 | 5 | 3 | 4 | 5 | 3 | 4 | 5 | | | |
| a | 73.5 | 100 | 100 | 100 | 100 | 100 | 110 | 110 | 110 | | | |
| b | 64 | 92 | 92 | 92 | 92 | 92 | 106 | 106 | 106 | | | |
| c | 52 | 58 | 58 | 59 | 59 | 60 | 67.5 | 67.5 | 67.5 | | | |
| d | 60 | 85 | 85 | 85 | 85 | 85 | 85 | 85 | 85 | | | |
| e | 52 | 77 | 77 | 77 | 77 | 77 | 77 | 77 | 77 | | | |
| f | 5.3 | 5.3 | 5.3 | 5.5 | 5.5 | 5.5 | 6.5 | 6.5 | 6.5 | | | |
| g | 7 | 8 | 8 | 8 | 8 | 8 | 12 | 12 | 12 | | | |
| g.1 | 2 | 2 | 2 | 2 | 2 | 2 | 2 | 2 | 2 | | | |
| h | 79 | 105 | 108 | 107 | 107 | 112 | 134 | 134 | 134 | | | |
| k | 46 | 32 | 33 | 55 | 55 | 48 | 62 | 62 | 62 | | | |
| l | 55 | 70 | 70 | 73 | 73 | 75 | 86 | 86 | 86 | | | |
| l1 | 65 | 80 | 80 | 85 | 85 | 86 | 99 | 99 | 99 | | | |
| α | 20° | 20° | 20° | 20° | 20° | 20° | 20° | 20° | 20° | | | |
| Conductor crosssectional area (mm²)Min. To Max | | | | 1.5-2.5 | | | Conductor crosssectional area (mm²)Min. To Max | | | 4-6 | | |
| | | | | | | | Conductor crosssectional area (mm²)Min. To Max | | | 10-16 | | |



IP67 Flange Size 73.5×64 mm(16A,3P), 100×92mm (16A,4P/5P,32A),
Panel Mounted Socket



Dimensions in mm

| Amp | 16 / 20 | | | 32 | | | 63 | | | 125 | | | | | |
|--|---------|-----|-----|---------|-----|-----|--|-----|-----|--|-----|-----|-------|--|--|
| Poles | 3 | 4 | 5 | 3 | 4 | 5 | 3 | 4 | 5 | 3 | 4 | 5 | | | |
| a | 73.5 | 100 | 100 | 100 | 100 | 100 | 110 | 110 | 110 | 114 | 114 | 114 | | | |
| b | 64 | 92 | 92 | 92 | 92 | 92 | 106 | 106 | 106 | 110 | 110 | 110 | | | |
| c | 52 | 59 | 62 | 64 | 64 | 66 | 83 | 83 | 83 | 75 | 75 | 75 | | | |
| d | 60 | 85 | 85 | 85 | 85 | 85 | 85 | 85 | 85 | 90 | 90 | 90 | | | |
| e | 52 | 77 | 77 | 77 | 77 | 77 | 77 | 77 | 77 | 90 | 90 | 90 | | | |
| f | 5.3 | 5.3 | 5.3 | 5.5 | 5.5 | 5.5 | 6.5 | 6.5 | 6.5 | 6.2 | 6.2 | 6.2 | | | |
| g | 7 | 8 | 8 | 8 | 8 | 8 | 12 | 12 | 12 | 13 | 13 | 13 | | | |
| g.1 | 2 | 2 | 2 | 2 | 2 | 2 | 2 | 2 | 2 | 2 | 2 | 2 | | | |
| h | 84 | 103 | 105 | 109 | 109 | 113 | 115 | 115 | 115 | 125 | 125 | 125 | | | |
| l | 78 | 85 | 96 | 103 | 103 | 110 | 117 | 117 | 117 | 135 | 135 | 135 | | | |
| k | 46 | 32 | 33 | 55 | 55 | 48 | 86 | 86 | 86 | 100 | 100 | 100 | | | |
| l1 | 55 | 70 | 70 | 70 | 70 | 73 | 99 | 99 | 99 | 107 | 107 | 107 | | | |
| l1 | 65 | 80 | 80 | 82 | 82 | 85 | 62 | 62 | 62 | 98 | 98 | 98 | | | |
| α | 20° | 20° | 20° | 20° | 20° | 20° | 20° | 20° | 20° | 15° | 15° | 15° | | | |
| Conductor crosssectional area (mm²)Min. To Max | | | | 1.5-2.5 | | | Conductor crosssectional area (mm²)Min. To Max | | | 4-6 | | | | | |
| | | | | | | | Conductor crosssectional area (mm²)Min. To Max | | | 10-16 | | | | | |
| | | | | | | | | | | Conductor crosssectional area (mm²)Min. To Max | | | 25-35 | | |

| Current | Poles | 230V 50-60Hz 6h | 400V 50-60Hz 6h |
|---------|-------|--------------------|--------------------|
|---------|-------|--------------------|--------------------|

Model No.

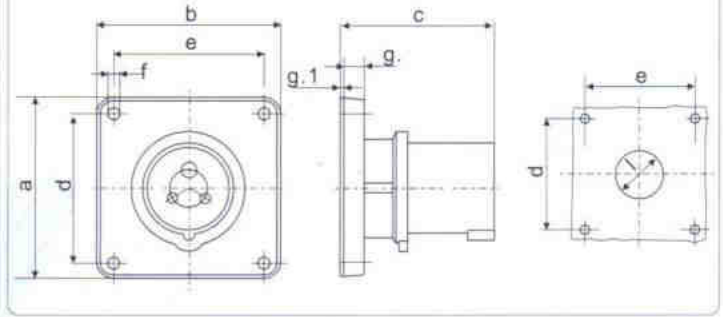
| | | | |
|-------|---|---------------|---------------|
| 16/20 | 3 | 9E1475 | •9E1476 |
| | 4 | •9E1478 | 9E1479 |
| | 5 | •9E1484 | 9E1485 |
| 32 | 3 | 9E1502 | •9E1503 |
| | 4 | •9E1505 | 9E1506 |
| | 5 | •9E1490 | 9E1551 |
| 63 | 3 | 9E2180 | •9E2181 |
| | 4 | •9E204 | 9E205 |
| | 5 | •9E208 | 9E209 |
| 125 | 3 | 9E3575 | |
| | 4 | •9E211 | 9E212 |
| | 5 | •9E215 | 9E216 |

• Available on request

CEE/IEC International Standard Panel Mounted Plug

Conform to European / international standards EN/IEC 60309-2

IP44 CEE/IEC Panel Mounted Plug

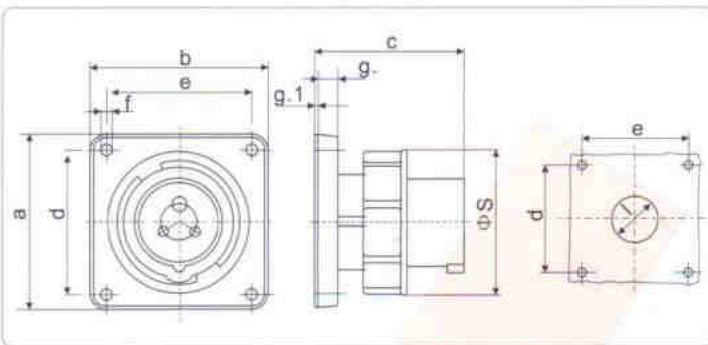


| Current | Poles | 230V 50-60Hz 6h | 400V 50-60Hz 6h |
|---------|-------|--------------------|--------------------|
|---------|-------|--------------------|--------------------|

| | | Model No. | |
|-------|---|-----------|--------|
| 16/20 | 3 | 9E812 | |
| | 4 | • 9E837 | 9E813 |
| | 5 | | 9E815 |
| 32 | 3 | 9E817 | |
| | 4 | • 9E838 | 9E819 |
| | 5 | | 9E821 |
| 63 | 3 | 9E1981 | |
| | 4 | • 9E1984 | 9E1982 |
| | 5 | | 9E1688 |

Dimensions in mm

| Amp | 16 / 20 | | | 32 | | | 63 | | | | |
|--|---------|------|---------|------|------|--|-----|-----|-------|--|--|
| Poles | 3 | 4 | 5 | 3 | 4 | 5 | 3 | 4 | 5 | | |
| a | 85.7 | 85.7 | 85.7 | 85.7 | 85.7 | 85.7 | 110 | 110 | 110 | | |
| b | 85.7 | 85.7 | 85.7 | 85.7 | 85.7 | 85.7 | 106 | 106 | 106 | | |
| c | 72 | 72 | 72 | 90 | 90 | 90 | 85 | 85 | 85 | | |
| d | 69.5 | 69.5 | 69.5 | 69.5 | 69.5 | 69.5 | 90 | 90 | 90 | | |
| e | 69.5 | 69.5 | 69.5 | 69.5 | 69.5 | 69.5 | 90 | 90 | 90 | | |
| f | 5.5 | 5.5 | 5.5 | 5.5 | 5.5 | 5.5 | 5.5 | 5.5 | 5.5 | | |
| g | 10 | 10 | 10 | 10 | 10 | 10 | 11 | 11 | 11 | | |
| g.1 | 2 | 2 | 2 | 2 | 2 | 2 | 2 | 2 | 2 | | |
| l | 32 | 36 | 42 | 47 | 47 | 50 | 80 | 80 | 80 | | |
| Conductor crosssectional area (mm ²)/Min. To Max | | | 1.5-2.5 | | | Conductor crosssectional area (mm ²)/Min. To Max | | | 4-6 | | |
| | | | | | | Conductor crosssectional area (mm ²)/Min. To Max | | | 10-16 | | |



IP67 CEE/IEC Panel Mounted Plug



| Current | Poles | 230V 50-60Hz 6h | 400V 50-60Hz 6h |
|---------|-------|--------------------|--------------------|
|---------|-------|--------------------|--------------------|

Dimensions in mm

| Amp | 16 / 20 | | | 32 | | | 63 | | | 125 | | | | |
|--|---------|------|---------|------|------|--|-----|-----|-------|-----|-----|--|--|--|
| Poles | 3 | 4 | 5 | 3 | 4 | 5 | 3 | 4 | 5 | 3 | 4 | 5 | | |
| a | 85.7 | 85.7 | 85.7 | 85.7 | 85.7 | 85.7 | 110 | 110 | 110 | 130 | 130 | 130 | | |
| b | 85.7 | 85.7 | 85.7 | 85.7 | 85.7 | 85.7 | 106 | 106 | 106 | 130 | 130 | 130 | | |
| c | 72 | 72 | 72 | 90 | 90 | 90 | 86 | 86 | 86 | 112 | 112 | 112 | | |
| d | 69.5 | 69.5 | 69.5 | 69.5 | 69.5 | 69.5 | 90 | 90 | 90 | 104 | 104 | 104 | | |
| e | 69.5 | 69.5 | 69.5 | 69.5 | 69.5 | 69.5 | 90 | 90 | 90 | 104 | 104 | 104 | | |
| f | 5.5 | 5.5 | 5.5 | 5.5 | 5.5 | 5.5 | 5.5 | 5.5 | 5.5 | 6.5 | 6.5 | 6.5 | | |
| g | 10 | 10 | 10 | 10 | 10 | 10 | 11 | 11 | 11 | 18 | 18 | 18 | | |
| g.1 | 2 | 2 | 2 | 2 | 2 | 2 | 2 | 2 | 2 | 2 | 2 | 2 | | |
| l | 32 | 36 | 42 | 47 | 47 | 50 | 80 | 80 | 95 | 95 | 95 | | | |
| s | 71 | 79 | 89 | 94 | 94 | 102 | 113 | 113 | 113 | 132 | 132 | 132 | | |
| Conductor crosssectional area (mm ²)/Min. To Max | | | 1.5-2.5 | | | Conductor crosssectional area (mm ²)/Min. To Max | | | 4-6 | | | Conductor crosssectional area (mm ²)/Min. To Max | | |
| | | | | | | | | | 10-16 | | | Conductor crosssectional area (mm ²)/Min. To Max | | |
| | | | | | | | | | | | | 25-35 | | |

Model No.

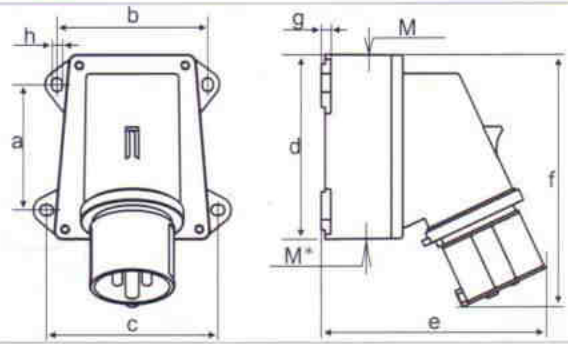
| | | | |
|-------|---|----------|------------|
| 16/20 | 3 | 9E826 | |
| | 4 | • 9E839 | 9E827 |
| | 5 | | 9E829 |
| 32 | 3 | 9E831 | |
| | 4 | • 9E840 | 9E832 |
| | 5 | | 9E834 |
| 63 | 3 | 9E836 | • 9E123637 |
| | 4 | • 9E3704 | 9E3656 |
| | 5 | | 9E3658 |
| 125 | 3 | 9E3665 | • 9E123665 |
| | 4 | • 9E3413 | 9E3583 |
| | 5 | | 9E1983 |

• Available on request

CEE/IEC International Standard Surface (WALL) Mounted Plug

Conform to European / international standards EN/IEC 60309-2

IP44 CEE/IEC Surface Mounted Plug



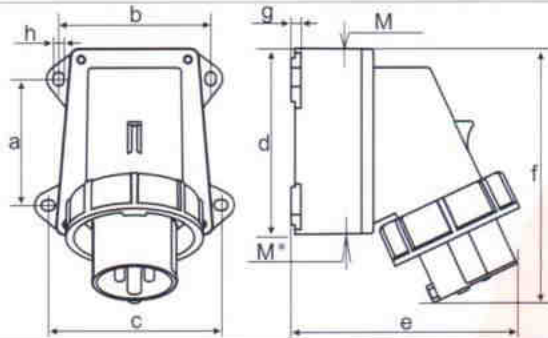
| Current | Poles | 230V 50-60Hz 6h | | 400V 50-60Hz 6h | |
|---------|-------|--------------------|--|--------------------|--|
| | | | | | |

Model No.

| | | | |
|---------------|---|----------------|---------------|
| 16 / 20 | 3 | 9E332 | • 9E333 |
| | 4 | • 9E335 | 9E336 |
| | 5 | • 9E341 | 9E342 |
| 32 | 3 | 9E344 | • 9E345 |
| | 4 | • 9E347 | 9E348 |
| | 5 | • 9E353 | 9E354 |
| 63 | 3 | 9E11074 | • 9E12174 |
| | 4 | 9E3574 | 9E3574 |
| | 5 | • 9E3604 | 9E3614 |

Dimensions in mm

| Amp | 16 / 20 | | | 32 | | | 63 | | |
|---|---------------------------------------|-------|-------|---------------------------------------|-------|-------|---------------------------------------|-------|-------|
| Poles | 3 | 4 | 5 | 3 | 4 | 5 | 3 | 4 | 5 |
| a | 64.2 | 64.2 | 64.2 | 90.2 | 90.2 | 90.2 | 133.3 | 133.3 | 133.3 |
| b | 77.5 | 77.5 | 77.5 | 79 | 79 | 79 | 107.8 | 107.8 | 107.8 |
| c | 88 | 88 | 88 | 98.5 | 98.5 | 98.5 | 136 | 136 | 136 |
| d | 94.6 | 94.6 | 94.6 | 120.7 | 120.7 | 120.7 | 171.3 | 171.3 | 171.3 |
| e | 114.9 | 122.6 | 129.9 | 145 | 145 | 151.8 | 180.1 | 180.1 | 180.1 |
| f | 129.4 | 129.9 | 128.3 | 162.8 | 162.8 | 161.8 | 219.4 | 219.4 | 219.4 |
| g | 5.5 | 5.5 | 5.5 | 5.5 | 5.5 | 5.5 | 6 | 6 | 6 |
| h | 5 | 5 | 5 | 5 | 5 | 5 | 5 | 5 | 5 |
| M | 25 | 25 | 25 | 32 | 32 | 32 | 40 | 40 | 40 |
| M* | 1Pcs M25 Blind Cable Entry Can Cut | | | 1Pcs M32 Blind Cable Entry Can Cut | | | 1Pcs M40 Blind Cable Entry Can Cut | | |
| Conductor crosssectional area (mm ²)Min. To Max | 1.5-2.5 | | | 4-6 | | | 10-16 | | |



IP67 CEE/IEC Surface Mounted Plug



| Current | Poles | 230V 50-60Hz 6h | | 400V 50-60Hz 6h | |
|---------|-------|--------------------|--|--------------------|--|
| | | | | | |

Dimensions in mm

| Amp | 16 / 20 | | | 32 | | | 63 | | |
|---|---------------------------------------|-------|-------|---------------------------------------|-------|-------|---------------------------------------|-------|-------|
| Poles | 3 | 4 | 5 | 3 | 4 | 5 | 3 | 4 | 5 |
| a | 64.2 | 64.2 | 64.2 | 90.2 | 90.2 | 90.2 | 133.3 | 133.3 | 133.3 |
| b | 77.5 | 77.5 | 77.5 | 79 | 79 | 79 | 107.8 | 107.8 | 107.8 |
| c | 88 | 88 | 88 | 98.5 | 98.5 | 98.5 | 136 | 136 | 136 |
| d | 94.6 | 94.6 | 94.6 | 120.7 | 120.7 | 120.7 | 171.3 | 171.3 | 171.3 |
| e | 116.5 | 116.5 | 116.5 | 148.4 | 148.4 | 148.4 | 180.1 | 180.1 | 180.1 |
| f | 129.4 | 129.4 | 129.4 | 162.8 | 162.8 | 162.8 | 219.4 | 219.4 | 219.4 |
| h | 5.5 | 5.5 | 5.5 | 5.5 | 5.5 | 5.5 | 6 | 6 | 6 |
| g | 5 | 5 | 5 | 5 | 5 | 5 | 5 | 5 | 5 |
| M | 25 | 25 | 25 | 32 | 32 | 32 | 40 | 40 | 40 |
| M* | 1Pcs M25 Blind Cable Entry Can Cut | | | 1Pcs M32 Blind Cable Entry Can Cut | | | 1Pcs M40 Blind Cable Entry Can Cut | | |
| Conductor crosssectional area (mm ²)Min. To Max | 1.5-2.5 | | | 4-6 | | | 10-16 | | |

Model No.

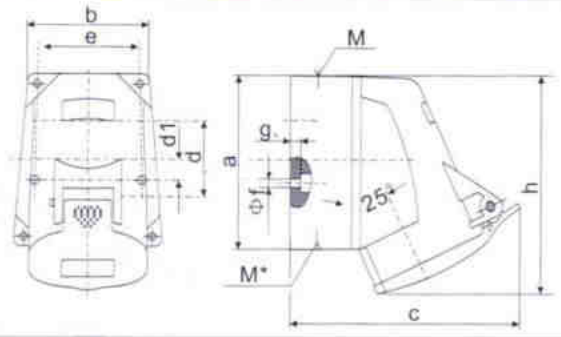
| | | | |
|---------------|---|---------------|---------------|
| 16 / 20 | 3 | 9E1003 | • 9E3337 |
| | 4 | • 9E3357 | 9E1004 |
| | 5 | • 9E3417 | 9E1005 |
| 32 | 3 | 9E1006 | • 9E3457 |
| | 4 | • 9E3477 | 9E1007 |
| | 5 | • 9E3537 | 9E1008 |
| 63 | 3 | 9E1107 | • 9E1217 |
| | 4 | • 9E356 | 9E357 |
| | 5 | • 9E360 | 9E361 |

• Available on request

CEE/IEC International Standard Surface (WALL) Mounted Socket

Conform to European / international standards EN/IEC 60309-2

IP44 CEE/IEC Surface Mounted Socket



| Current | Poles | 230V | 400V |
|---------|-------|------------|------------|
| | | 50-60Hz 6h | 50-60Hz 6h |

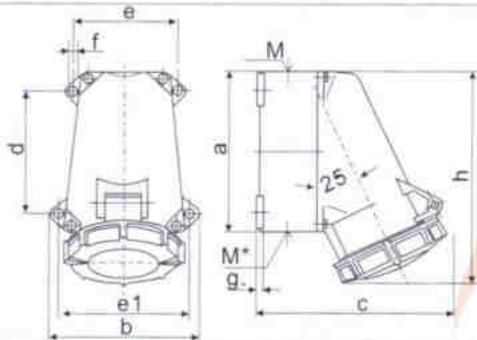
Dimensions in mm

| Amp | 16 / 20 | | | 32 | | | 63 | | |
|--|------------------------------------|-----|-----|------------------------------------|-----|-----|------------------------------------|-----|-----|
| Poles | 3 | 4 | 5 | 3 | 4 | 5 | 3 | 4 | 5 |
| a | 87 | 100 | 100 | 128 | 128 | 128 | 171 | 171 | 171 |
| b | 62 | 67 | 67 | 71 | 71 | 71 | 95 | 95 | 95 |
| c | 110 | 125 | 131 | 147 | 147 | 152 | 165 | 165 | 165 |
| d | 40 | - | - | 11 | 11 | 11 | 133 | 133 | 133 |
| d1 | - | 11 | 11 | | | | | | |
| e | 50 | 59 | 59 | 68 | 68 | 68 | 108 | 108 | 108 |
| f | 4.5 | 5 | 5 | 5.3 | 5.3 | 5.3 | 6 | 6 | 6 |
| g | 4 | 4 | 4 | 4 | 4 | 4 | 5 | 5 | 5 |
| h | 115 | 118 | 128 | 158 | 158 | 160 | 216 | 216 | 216 |
| M | 20 | 20 | 20 | 32 | 32 | 32 | 40 | 40 | 40 |
| M* | 1Pcs M25 Blind Cable Entry Can Cut | | | 1Pcs M32 Blind Cable Entry Can Cut | | | 1Pcs M40 Blind Cable Entry Can Cut | | |
| Conductor crosssectional area (mm ²)/Min. To Max | 1.5-2.5 | | | 4-6 | | | 10-16 | | |

Model No.

| Current | Poles | Model No. | |
|---------|-------|---------------|---------------|
| | | 16 / 20 | 3 |
| 16 / 20 | 4 | • 9E104 | 9E105 |
| | 5 | • 9E110 | 9E111 |
| | 3 | 9E1421 | • 9E1422 |
| 32 | 4 | • 9E1424 | 9E1425 |
| | 5 | • 9E1556 | 9E1557 |
| | 3 | 9E1137 | • 9E1138 |
| 63 | 4 | • 9E1140 | 9E1141 |
| | 5 | • 9E1144 | 9E1145 |

IP67 CEE/IEC Surface Mounted Socket



Dimensions in mm

| Amp | 16 / 20 | | | 32 | | | 63 | | |
|--|------------------------------------|------|------|------------------------------------|------|------|------------------------------------|-------|-------|
| Poles | 3 | 4 | 5 | 3 | 4 | 5 | 3 | 4 | 5 |
| a | 95 | 95 | 95 | 120 | 120 | 120 | 171.3 | 171.3 | 171.3 |
| b | 102 | 102 | 102 | 112 | 112 | 112 | 157 | 157 | 157 |
| c | 115 | 124 | 129 | 143 | 143 | 150 | 169 | 169 | 169 |
| d | 64.2 | 64.2 | 64.2 | 90.2 | 90.2 | 90.2 | 133.3 | 133.3 | 133.3 |
| e | 77.5 | 77.5 | 77.5 | 79 | 79 | 79 | 108 | 108 | 108 |
| e1 | 88 | 88 | 88 | 98.5 | 98.5 | 98.5 | 136 | 136 | 136 |
| f | 5.5 | 5.5 | 5.5 | 5.5 | 5.5 | 5.5 | 6 | 6 | 6 |
| g | 5 | 5 | 5 | 5 | 5 | 5 | 5 | 5 | 5 |
| h | 130 | 134 | 138 | 160 | 160 | 160 | 216 | 216 | 216 |
| M | 25 | 25 | 25 | 32 | 32 | 32 | 40 | 40 | 40 |
| M* | 1Pcs M25 Blind Cable Entry Can Cut | | | 1Pcs M32 Blind Cable Entry Can Cut | | | 1Pcs M40 Blind Cable Entry Can Cut | | |
| Conductor crosssectional area (mm ²)/Min. To Max | 1.5-2.5 | | | 4-6 | | | 10-16 | | |

| Current | Poles | 230V | 400V |
|---------|-------|------------|------------|
| | | 50-60Hz 6h | 50-60Hz 6h |

Model No.

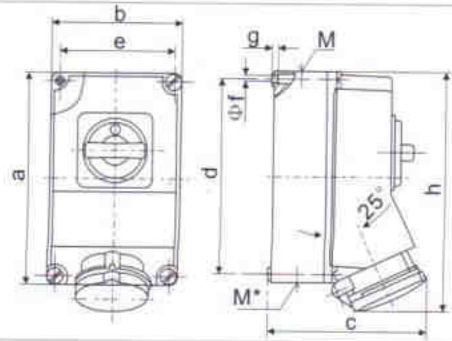
| Current | Poles | Model No. | |
|---------|-------|---------------|---------------|
| | | 16 / 20 | 3 |
| 16 / 20 | 4 | • 9E1195 | 9E1196 |
| | 5 | • 9E1199 | 9E1200 |
| | 3 | 9E1202 | • 9E1203 |
| 32 | 4 | • 9E1205 | 9E1206 |
| | 5 | • 9E1209 | 9E1210 |
| | 3 | 9E128 | • 9E129 |
| 63 | 4 | • 9E131 | 9E132 |
| | 5 | • 9E135 | 9E136 |
| | 3 | | |
| 125 | 4 | • 9E138 | 9E139 |
| | 5 | • 9E142 | 9E143 |

• Available on request

CEE/IEC International Standard Socket with Switches and Interlock

Conform to European / international standards EN/IEC 60309-2

IP44 CEE/IEC Socket with Switches and Interlock

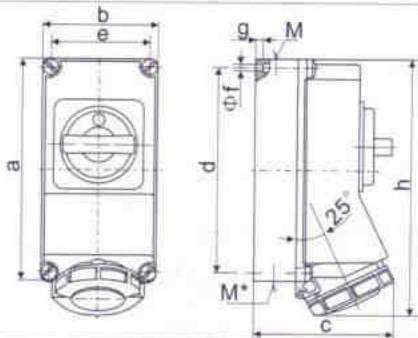


| Current | Poles | 230V 50-60Hz 6h | 400V 50-60Hz 6h |
|---------|-------|--------------------|--------------------|
|---------|-------|--------------------|--------------------|

| | | Model No. | |
|-------|---|-----------|--------|
| 16/20 | 3 | 9E7002 | |
| | 4 | •9E5099 | 9E5100 |
| | 5 | •9E5102 | 9E5103 |
| 32 | 3 | 9E5696 | |
| | 4 | •9E5104 | 9E5105 |
| | 5 | •9E5107 | 9E5108 |
| 63 | 3 | 9E6571 | |
| | 4 | •9E5955 | 9E5956 |
| | 5 | | 9E5959 |

Dimensions in mm

| Amp | 16 / 20 | | | 32 | | | 63 | | | | |
|---|---------|-------|---------|-------|-------|---|------|------|-------|--|--|
| Poles | 3 | 4 | 5 | 3 | 4 | 5 | 3 | 4 | 5 | | |
| a | 225 | 225 | 225 | 225 | 225 | 225 | 264 | 264 | 264 | | |
| b | 118 | 118 | 118 | 118 | 118 | 118 | 163 | 163 | 163 | | |
| c | 141 | 141 | 141 | 146 | 146 | 146 | 192 | 192 | 192 | | |
| d | 208 | 208 | 208 | 208 | 208 | 208 | 240 | 240 | 240 | | |
| e | 101 | 101 | 101 | 101 | 101 | 101 | 140 | 140 | 140 | | |
| f | 6.3 | 6.3 | 6.3 | 6.3 | 6.3 | 6.3 | 8.1 | 8.1 | 8.1 | | |
| g | 8 | 8 | 8 | 8 | 8 | 8 | 8 | 8 | 8 | | |
| h | 250 | 252 | 254 | 264 | 264 | 264 | 300 | 300 | 300 | | |
| M | 2x25 | 2x25 | 2x25 | 2x25 | 2x25 | 2x25 | 40 | 40 | 40 | | |
| M* | 25/32 | 25/32 | 25/32 | 25/32 | 25/32 | 25/32 | 2x40 | 2x40 | 2x40 | | |
| Conductor crosssectional area (mm ²)/Min. To Max. | | | 1.5-2.5 | | | Conductor crosssectional area (mm ²)/Min. To Max. | | | 4-6 | | |
| | | | | | | Conductor crosssectional area (mm ²)/Min. To Max. | | | 10-16 | | |



IP67 CEE/IEC Socket with Switches and Interlock



| Current | Poles | 230V 50-60Hz 6h | 400V 50-60Hz 6h |
|---------|-------|--------------------|--------------------|
|---------|-------|--------------------|--------------------|

Dimensions in mm

| Amp | 16 / 20 | | | 32 | | | 63 | | | 125 | | | | | | | |
|---|---------|-------|---------|-------|-------|---|------|------|---|-----|-----|---|--|--|-------|--|--|
| Poles | 3 | 4 | 5 | 3 | 4 | 5 | 3 | 4 | 5 | 3 | 4 | 5 | | | | | |
| a | 225 | 225 | 225 | 225 | 225 | 225 | 264 | 264 | 264 | 285 | 285 | 285 | | | | | |
| b | 118 | 118 | 118 | 118 | 118 | 118 | 163 | 163 | 163 | 171 | 171 | 171 | | | | | |
| c | 144 | 146 | 147 | 152 | 152 | 153 | 196 | 196 | 196 | 224 | 224 | 224 | | | | | |
| d | 208 | 208 | 208 | 208 | 208 | 208 | 240 | 240 | 240 | 250 | 250 | 250 | | | | | |
| e | 101 | 101 | 101 | 101 | 101 | 101 | 140 | 140 | 140 | 150 | 150 | 150 | | | | | |
| f | 6.3 | 6.3 | 6.3 | 6.3 | 6.3 | 6.3 | 8.1 | 8.1 | 8.1 | 10 | 10 | 10 | | | | | |
| g | 8 | 8 | 8 | 8 | 8 | 8 | 8 | 8 | 8 | 10 | 10 | 10 | | | | | |
| h | 252 | 255 | 259 | 268 | 268 | 274 | 300 | 300 | 300 | 335 | 335 | 335 | | | | | |
| M | 2x25 | 2x25 | 2x25 | 2x25 | 2x25 | 2x25 | 40 | 40 | 40 | 50 | 50 | 50 | | | | | |
| M* | 25/32 | 25/32 | 25/32 | 25/32 | 25/32 | 25/32 | 2x40 | 2x40 | 2x40 | 50 | 50 | 50 | | | | | |
| Conductor crosssectional area (mm ²)/Min. To Max. | | | 1.5-2.5 | | | Conductor crosssectional area (mm ²)/Min. To Max. | | | 4-6 | | | Conductor crosssectional area (mm ²)/Min. To Max. | | | 10-16 | | |
| | | | | | | | | | Conductor crosssectional area (mm ²)/Min. To Max. | | | 25-35 | | | | | |

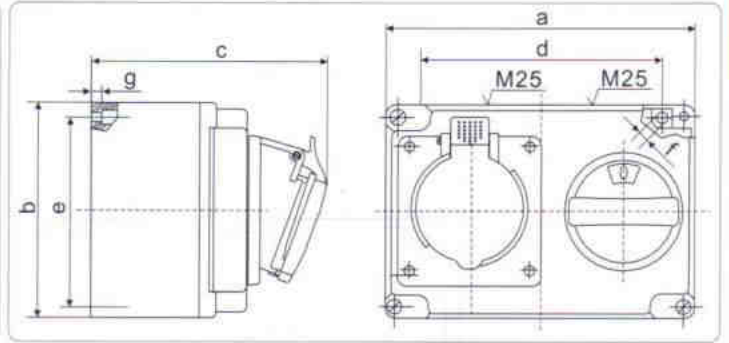
| | | Model No. | |
|-------|---|-----------|--------|
| 16/20 | 3 | 9E7012 | |
| | 4 | •9E5599 | 9E5600 |
| | 5 | •9E5602 | 9E5603 |
| 32 | 3 | 9E5793 | |
| | 4 | •9E5604 | 9E5605 |
| | 5 | •9E5607 | 9E5608 |
| 63 | 3 | 9E5911 | |
| | 4 | •9E5109 | 9E5110 |
| | 5 | •9E5112 | 9E5113 |
| 125 | 3 | 9E7000 | |
| | 4 | •9E5887 | 9E5691 |
| | 5 | •9E5888 | 9E5692 |

• Available on request

CEE/IEC International Standard Socket with Switches and Interlock

Conform to European / international standards EN/IEC 60309-2

IP44 CEE/IEC Socket with Switches and Interlock



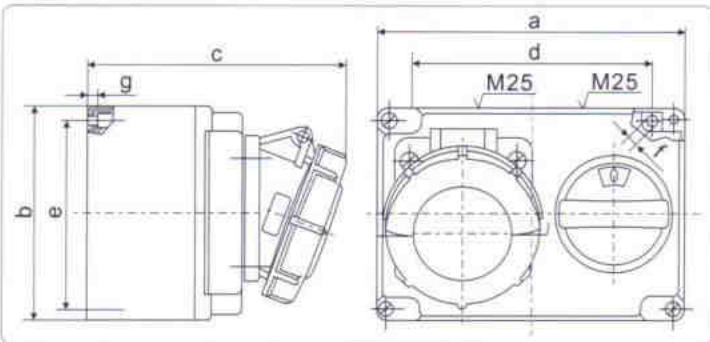
| Current | Poles | 230V 50-60Hz 6h | 400V 50-60Hz 6h | |
|---------------|-------|--------------------|--------------------|----------|
| 16 / 20 | 3 | 9E7274 | 9E7275 | |
| | 4 | | | • 9E7380 |
| | 5 | | | 9E7276 |

Model No.

| | | | |
|---------------|---|----------|--------|
| 16 / 20 | 3 | 9E7274 | 9E7275 |
| | 4 | • 9E7380 | |
| | 5 | 9E7276 | |

Dimensions in mm

| Amp | 16 / 20 | | |
|---|---------|-----|-----|
| Poles | 3 | 4 | 5 |
| a | 170 | 170 | 170 |
| b | 118 | 118 | 118 |
| c | 134 | 137 | 141 |
| d | 136 | 136 | 136 |
| e | 104 | 104 | 104 |
| f | 6.1 | 6.1 | 6.1 |
| g | 6 | 6 | 6 |
| M | 25 | 25 | 25 |
| Conductor crosssectional area (mm ²) Min. To Max. 1.5-2.5 | | | |



IP67 CEE/IEC Socket with Switches and Interlock



Dimensions in mm

| Amp | 16 / 20 | | |
|---|---------|-----|-----|
| Poles | 3 | 4 | 5 |
| a | 170 | 170 | 170 |
| b | 118 | 118 | 118 |
| c | 136 | 139 | 143 |
| d | 136 | 136 | 136 |
| e | 104 | 104 | 104 |
| f | 6.1 | 6.1 | 6.1 |
| g | 6 | 6 | 6 |
| M | 25 | 25 | 25 |
| Conductor crosssectional area (mm ²) Min. To Max. 1.5-2.5 | | | |

| Current | Poles | 230V 50-60Hz 6h | 400V 50-60Hz 6h | |
|---------------|-------|--------------------|--------------------|----------|
| 16 / 20 | 3 | 9E7278 | 9E7279 | |
| | 4 | | | • 9E7381 |
| | 5 | | | 9E7280 |

Model No.

| | | | |
|---------------|---|----------|--------|
| 16 / 20 | 3 | 9E7278 | 9E7279 |
| | 4 | • 9E7381 | |
| | 5 | 9E7280 | |

CEE/IEC International Standard Interlock Switch With Provision for MCB

Conform to European / international standards EN/IEC 60309-2



MODEL

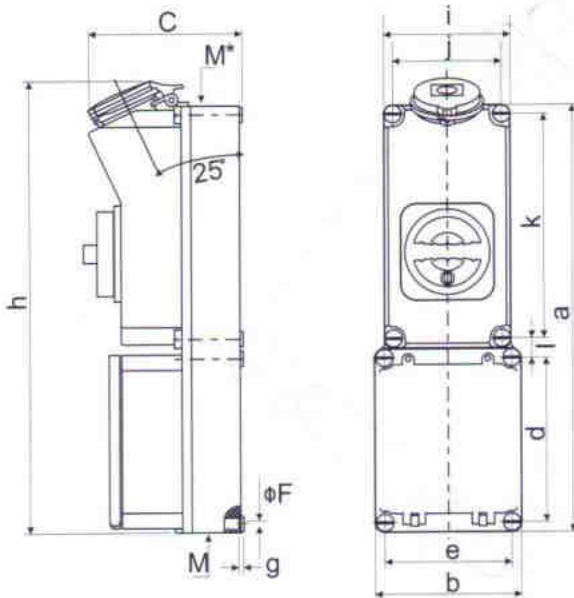
9E7050: 2P+E, 16A, 230V, IP67

9E5635: 3P+E, 32A, 400V, IP67

9E5630: 3P+E, 16A, 400V, IP67

9E5638: 3P+N+E, 32A, 400V, IP67

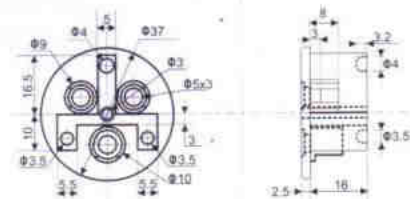
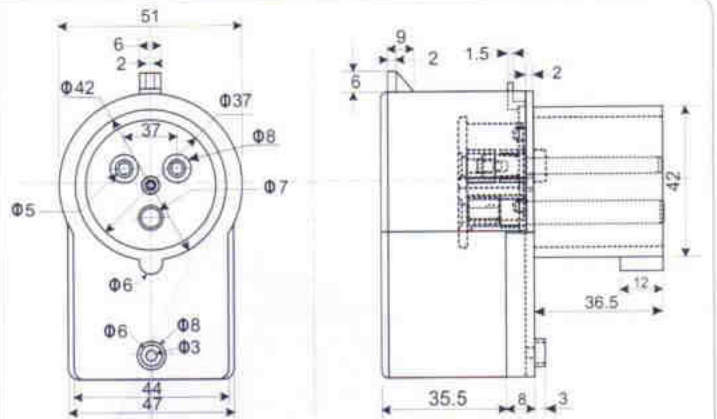
9E5633: 3P+N+E, 16A, 400V, IP67



| Parameter Size(mm) | Amp 16 | | | Amp 32 | | |
|--|---------|-------|-------|--|-------|-------|
| | Poles 3 | 4 | 5 | Poles 3 | 4 | 5 |
| a | 396.2 | 396.2 | 396.2 | a | 396.2 | 396.2 |
| b | 135 | 135 | 135 | b | 135 | 135 |
| c | 147 | 149 | 151 | c | 152 | 153 |
| d | 153.1 | 153.1 | 153.1 | d | 153.1 | 153.1 |
| e | 118 | 118 | 118 | e | 118 | 118 |
| f | 6.3 | 6.3 | 6.3 | f | 6.3 | 6.3 |
| g | 7 | 7 | 7 | g | 7 | 7 |
| h | 423 | 425 | 427 | h | 434 | 440 |
| i | 118 | 118 | 118 | i | 118 | 118 |
| j | 101 | 101 | 101 | j | 101 | 101 |
| k | 208 | 208 | 208 | k | 208 | 208 |
| l | 18.1 | 18.1 | 18.1 | l | 18.1 | 18.1 |
| M* | 2x25 | 2x25 | 2x25 | M* | 2x25 | 2x25 |
| M | 25/32 | 25/32 | 25/32 | M | 25/32 | 25/32 |
| Conductor Crosssectional area(mm ²)Min, to Max 1.5 - 2.5 | | | | Conductor Crosssectional area(mm ²)Min, to Max 4 - 6 | | |

IP44 CEE/IEC Angled Mount Plug

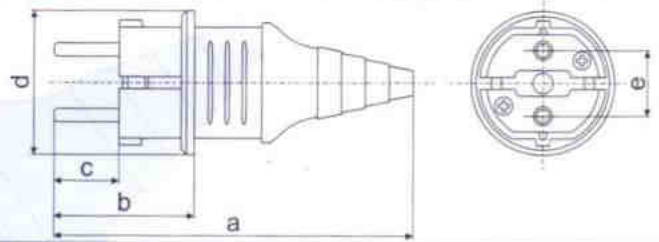
Model - 9EAMP01-16/20A,6H,200-250V, 2P+E



CEE/IEC International Standard SCHUKO Plug

Conform to European / international standards EN/IEC 60309-2

IP44 CEE/IEC SCHUKO Plug



Model

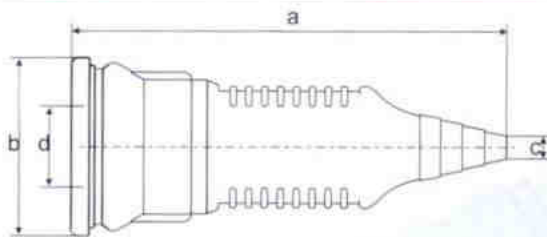
Blue 16A 230V 9E10838

Dimensions in mm

| | | |
|---|---------|------|
| Amp | 16 / 20 | |
| Poles | 2 | |
| a | 105 | d 41 |
| b | 42 | e 19 |
| c | 19 | |
| Conductor crosssectional area (mm ²)Min. To Max 1.5-2.5 | | |

CEE/IEC International Standard SCHUKO Connector

Conform to European / international standards EN/IEC 60309-2



Dimensions in mm

| | | |
|---|---------|------|
| Amp | 16 / 20 | |
| Poles | 2 | |
| a | 131 | c 5 |
| b | 57 | d 19 |
| Conductor crosssectional area (mm ²)Min. To Max 1.5-2.5 | | |

IP44 CEE/IEC SCHUKO Connector



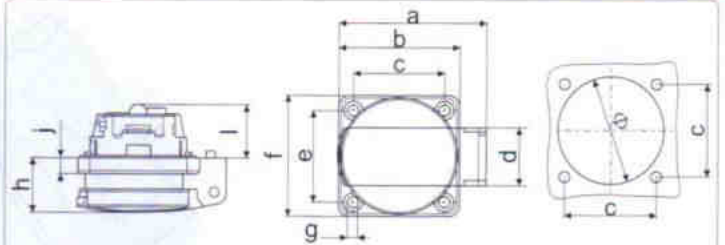
Model

Blue 16A 230V 9E10843

CEE/IEC International Standard SCHUKO Socket

Conform to European / international standards EN/IEC 60309-2

IP44 CEE/IEC SCHUKO Socket



Model

Blue 16A 230V 9E11031


Dimensions in mm

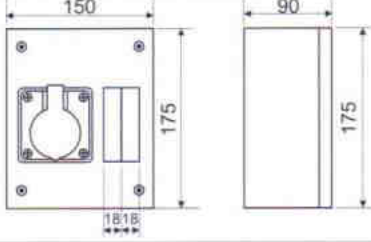
| | | |
|---|---------|--------|
| Amp | 16 / 20 | |
| Poles | 2 | |
| a | 61 | g 4.5 |
| b | 50 | h 23 |
| c | 38 | i 21.7 |
| d | 24.2 | j 6.5 |
| e | 38 | ø 44.5 |
| f | 50 | |
| Conductor crosssectional area (mm ²)Min. To Max 1.5-2.5 | | |

Also available in Gray, Black, Orange, Red, Yellow, Green, and White.

Power Socket Distribution Boards

Conform to European / international standards EN/IEC 60309-2



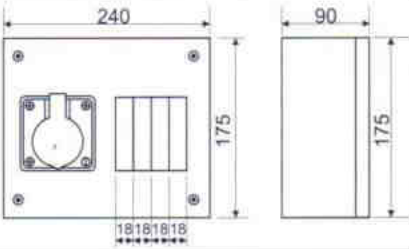



Thermoplastic PC/ABS Enclosure with Provision for MCB (IP 54)


| Model | Description |
|---------|----------------------|
| 9EPC001 | 16A/20A,2P+E,6H,230V |

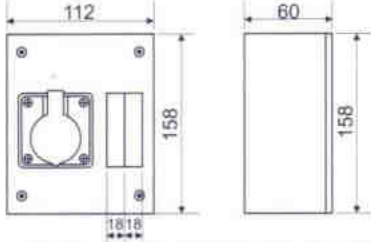
Thermoplastic PC/ABS Enclosure with Provision for MCB (IP 54)

| Model | Description |
|---------|------------------------|
| 9EPC002 | 16A/20A,3P+N+E,6H,400V |
| 9EPC003 | 32A,2P+E,6H,230V |
| 9EPC004 | 32A,3P+N+E,6H,400V |







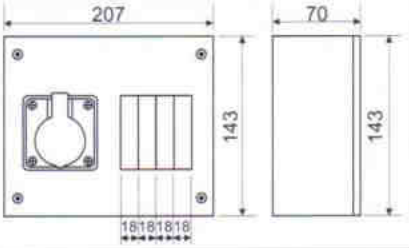



CRCA Metal Enclosure with Provision for MCB


| Model | Description |
|---------|----------------------|
| 9ESS001 | 16A/20A,2P+E,6H,230V |

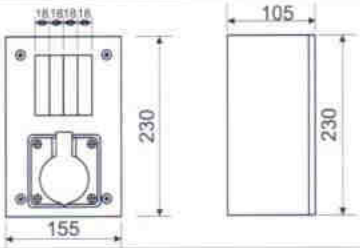
CRCA Metal Enclosure with Provision for MCB

| Model | Description |
|---------|------------------------|
| 9ESS002 | 16A/20A,3P+N+E,6H,400V |
| 9ESS003 | 32A,2P+E,6H,230V |
| 9ESS004 | 32A,3P+N+E,6H,400V |







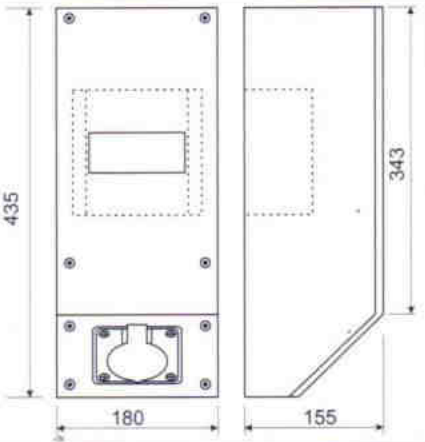



CRCA Metal Enclosure with Provision for MCB

| Model | Description |
|---------|--------------------|
| 9ESS005 | 63A,2P+E,6H,230V |
| 9ESS006 | 63A,3P+N+E,6H,400V |

CRCA Metal Enclosure with Provision for MCB/MCCB/ELCB


| Model | Description |
|----------|---------------------|
| 9EACR007 | 125A,2P+E,6H,230V |
| 9EACR008 | 125A,3P+E,6H,400V |
| 9EACR009 | 125A,3P+N+E,6H,400V |

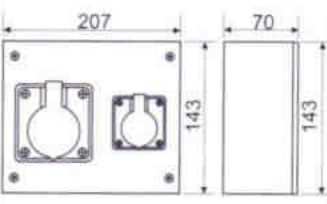




Power Socket Distribution Boards

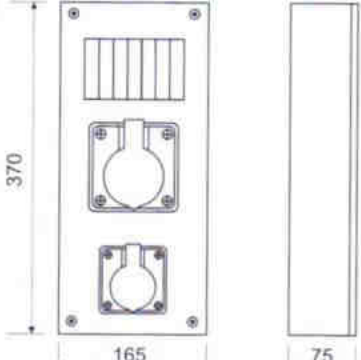
Conform to European / international standards EN/IEC 60309-2






| CRCA Metal Enclosure Without MCB Provision | |
|--|-------------------------------------|
| Model | Description |
| 9ESS0201 | 16A,2P+E - 2Nos. |
| 9ESS0202 | 16A,2P+E - 3Nos. |
| 9ESS0203 | 16A,2P+E - 1No & 32A,3P+N+E - 1Nos. |
| 9ESS0204 | 32A,3P+N+E - 2Nos. |

| CRCA Metal Enclosure with Provision for MCB | |
|---|-------------------------------------|
| Model | Description |
| 9ESS1DV163P2 | 16A,2P+E - 2Nos. |
| 9ESS1DV325P2 | 32A,3P+N+E - 2Nos. |
| 9ESS1DV325P1,163P1 | 16A,2P+E - 1No & 32A,3P+N+E - 1Nos. |



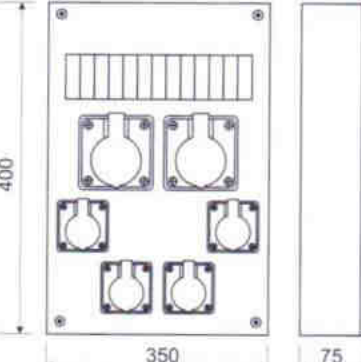







| CRCA Metal Enclosure with Provision for MCB | |
|---|-------------------------------------|
| Model | Description |
| 9ESS1DV163P3 | 16A,2P+E - 3Nos. |
| 9ESS1DV325P1,163P2 | 16A,2P+E - 2Nos, 32A,3P+N+E - 1Nos. |

| CRCA Metal Enclosure with Provision for MCB | |
|---|-------------------------------------|
| Model | Description |
| 9ESS1DV325P2,163P4 | 16A,2P+E - 4Nos, 32A,3P+N+E - 2Nos. |






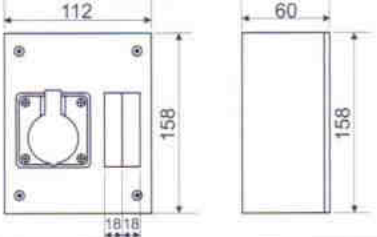

All dimension are in millimeters


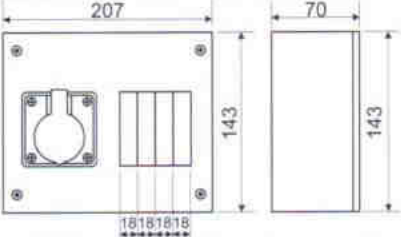
Note : Tailor made power socket distribution boards are made as per customer's specification.

Power Socket Distribution Boards

Conform to European / international standards EN/IEC 60309-2


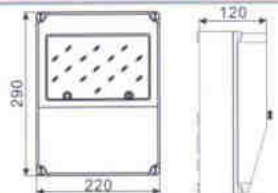

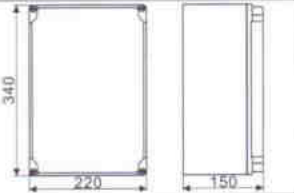

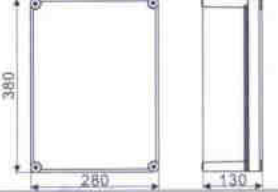

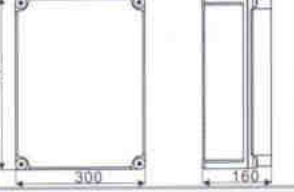

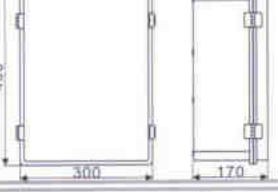





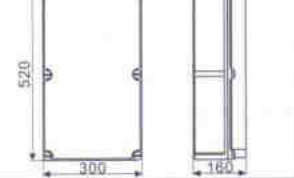
| | | |
|---|------------------------|---|
|  | CRCA Mobile Kit | |
| | Model | Description |
| | 9EMK001 | Incoming : 32A,3P+N+E,6H,400V - 1No. Outgoing : 32A,3P+N+E,6H,400V - 2Nos. 16A/20A,2P+E,6H,230V - 2Nos. Schuko 16A,2P,230V - 2Nos. |

| | | | |
|--|----------------------|--|---|
| Stainless Steel 304/304L Metal Enclosure with Provision for MCB | |  |  |
| Model | Description | | |
| 9ESS304001 | 16A/20A,2P+E,6H,230V | | |

| | | | |
|--|--|--|------------------------|
|  |  | Stainless Steel 304/304L Metal Enclosure with Provision for MCB | |
| | | Model | Description |
| | | 9ESS304002 | 16A/20A,3P+N+E,6H,400V |
| | | 9ESS304003 | 32A,2P+E,6H,230V |
| | | 9ESS304004 | 32A,3P+N+E,6H,400V |

CEE/IEC International Standard Plastic Power Combination Socket Box (IP65 Enclosure)

Conform to European / international standards EN/IEC 60309-2

| | | | | | |
|----------------------|---|---|----------------------|---|---|
| Model 9ESM-01 |  |  | Model 9ESM-02 |  |  |
| Model 9ESM-03 |  |  | Model 9ESM-04 |  |  |
| Model 9ESM-05 |  |  | Model 9ESM-06 |  |  |
| Model 9ESM-07 |  |  | Model 9ESM-08 |  |  |