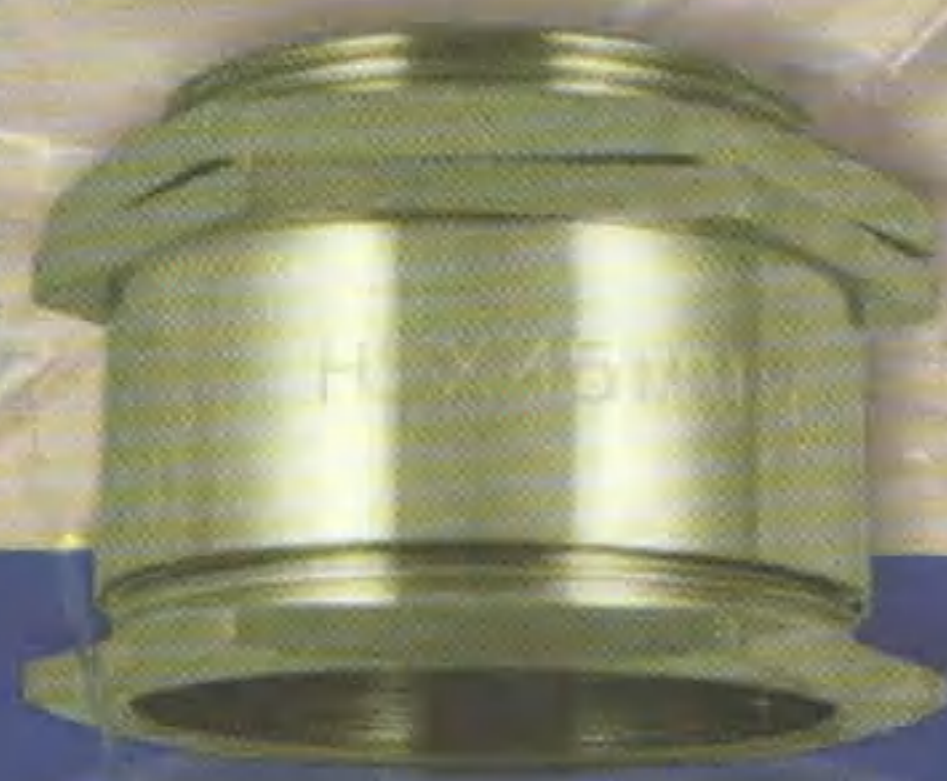




**BRASS CABLE GLANDS
& ACCESSORIES
CRIMPING TOOLS**



History in Engineering eXcellence



The HEX factory in Jamnagar, Gujarat

Welcome to the fascinating world of **HEX**.

This globally renowned brand is very well known in the arena of Cable Accessories, Earthing & Lightning Protection Systems.

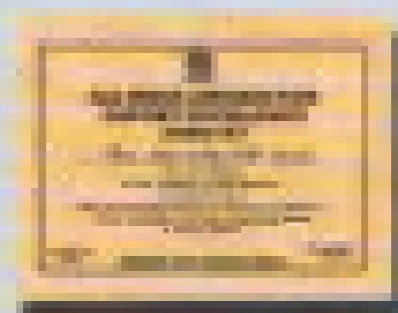
HEX started its manufacturing operations in 1991 at Vapi, Gujarat. This humble beginning made in a small workshop, has grown into one of Asia's largest industry offering a wide range of advanced solutions, services & products.

In line with its policy of continual growth, **HEX** added one more feather to its cap by starting manufacturing operations in Jamnagar in 2011. This plant manufactures brass cable glands, brass & gun metal accessories used in the lightning & earthing industry & crimping tools. The products manufactured in this plant are of very high quality & have been approved by various certifying bodies. They are showcased in this catalogue for your perusal.

Our large & diverse base of valuable customers spread all over India & in most countries worldwide are a testimony to the history of our dedication & growth. The values on which this company was founded continue to spur us on even today towards the goals which we are committed to achieve for a sustainable future.

For us, sustainability means acting in the best interest of coming generations – with respect to the economy, the environment and society.

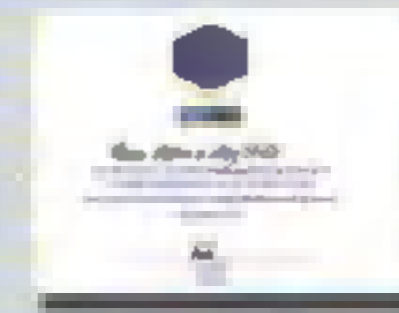
As you browse through our website, we hope you will find what you are looking for. If not, just send us your inquiry or give us a call. If it is relevant to our line of work, we will be happy to provide a solution.



Awards For Export Excellence Presented By
The Hon'ble Minister of External Affairs
Shri Pranab Mukherjee
At Kolkatta For The Year 2006-2007



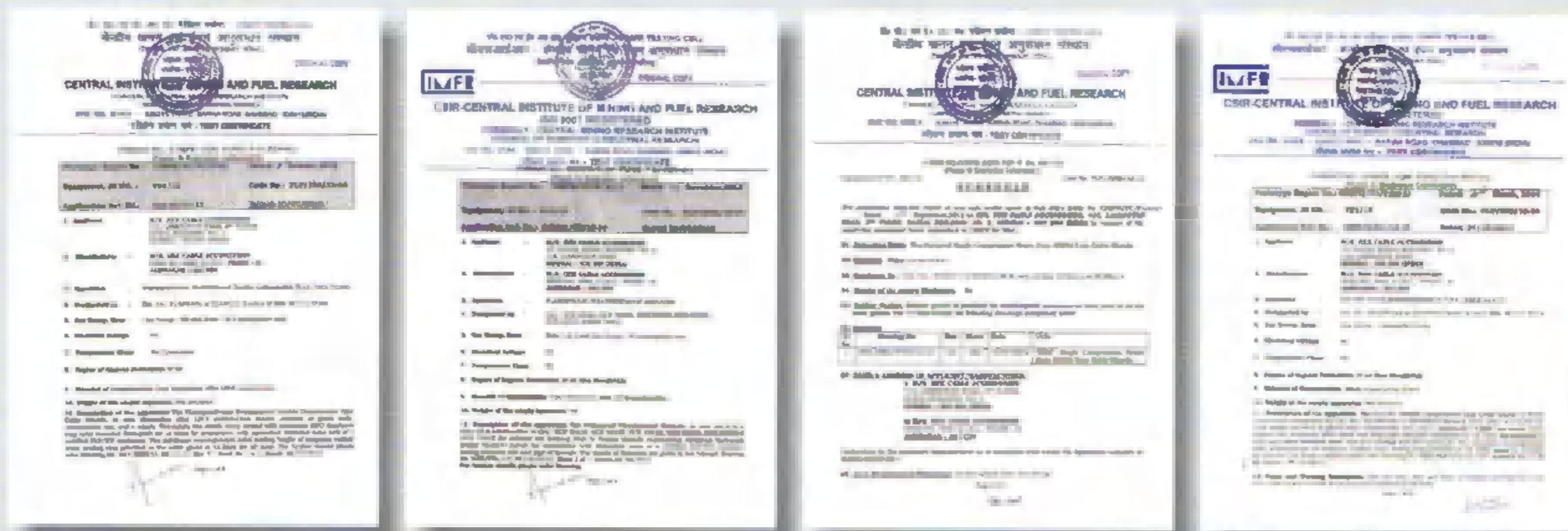
Awards For Export Excellence Presented By The Hon'ble
Minister of Industries, Employment & Self-employment
Shri Rajendra Jawaharlal Darda
At Mumbai For The Year 2007-2008



Awards For Export Excellence Presented By
The Hon'ble Union Minister of Commerce &
Industry Shri Ashok Sharma
At Banglore For The Year 2008-2009

LIST OF CERTIFICATES

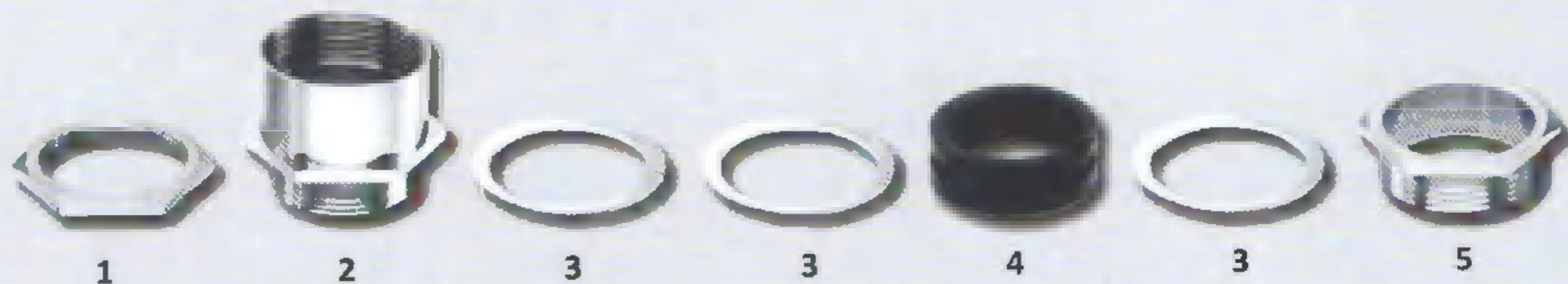
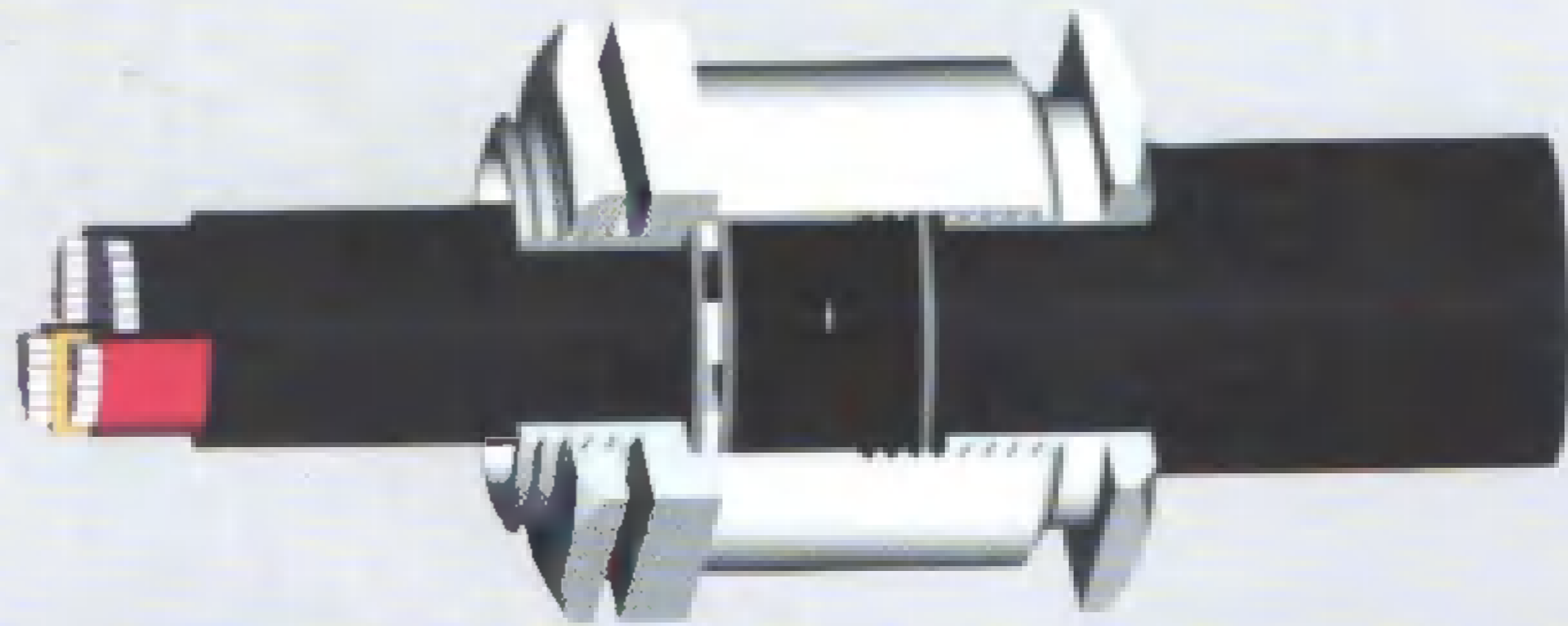
1. HEX Single Compression Cable Gland HCSCG – (SIBG) Series are as per the specification of IS 12943 : 2000 with IP 65 as per IS/IEC 60529 : 2001 Type Test Report No. CIMFR/TC/P/H 420.
2. HEX Double Compression Weather Proof Cable Glands are as per BS 6121 with IP 65 as per IS/IEC 60529 : 2001 Type Test Report No. CIMFR/TC/P/H/419.
3. HEX Double Compression Flame Proof – cum – Weather Proof Cable Glands are as per BS 6121 with IP 66, Flame Proof as per IS/IEC 60079 – 1 : 2007 & Weather Proof as per IS/IEC 60529 : 2001 (Gas Group IIA, IIB Zone 1 & 2 atmosphere) Type Test Report No. CIMFR/TC/Amend/01.
4. HEX Double Compression Flame Proof – cum – Weather Proof Cable Glands are as per BS 6121 with IP 66, Flame Proof as per IS/IEC 60079 – 1 : 2007 & Weather Proof as per IS/IEC 60529 : 2001 (Gas Group IIC Zone 1 & 2 atmosphere) Type Test Report No. CIMFR/TC/P/H/749.
5. HEX Flame Proof/Weather Proof Stopping Plugs are as per IP 66, Flame Proof as per IS/IEC 60079 – 1 : 2007 & Weather Proof as per IS/IEC 60529 : 2001 (Gas Group IIC Zone 1 & 2 atmosphere) Type Test Report No. CIMFR/TC/P/885.
6. HEX Flame Proof/Weather Proof Reducers are as per IP 66, Flame Proof as per IS/IEC 60079 – 1 : 2007 & Weather Proof as per IS/IEC 60529 : 2001 (Gas Group IIC Zone 1 & 2 atmosphere) Type Test Report No. CIMFR/TC/P/H/527.
7. HEX Flame Proof/Weather Proof Double Compression Cable Glands are as per IP 66, Flame Proof as per IS/IEC 60079 – 1 : 2007 & Weather Proof as per IS/IEC 60529 : 2001 (Gas Group I atmosphere only) Type Test Report No. CIMFR/TC/P/H/834.



HEX SINGLE COMPRESSION MEDIUM DUTY TYPE CABLE GLANDS

TECHNICAL DATA :

Material	: Brass as per IS 319
Plating	: Nickel Standard Chrome on request
Entry Threads	: BSC Standard Metric also available
Sealing Rubber Ring	: Synthetic / Natural
Series	: HC



APPLICATION :

Single Compression Glands are used under regular climatic conditions. These are Weather Proof and Dust Proof and may be used in corrosive conditions when protected by a shroud.

PARTS OF GLAND :

- 1) Brass Check Nut
- 2) Brass Gland Body
- 3) MS Washers (3 Nos.)
- 4) Rubber Outer Seal
- 5) Brass Compression Nut

All metal parts are accurately machined for ease of assembly.

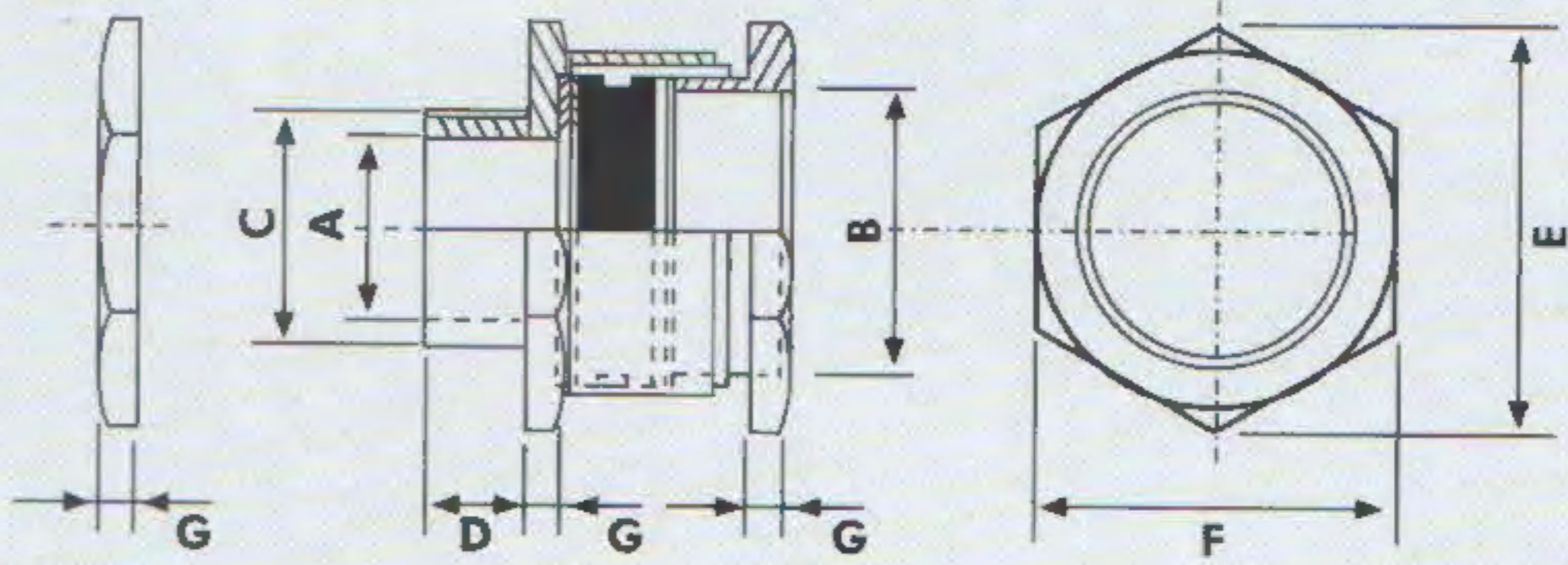
ACCESSORIES

Shrouds and Earth tags are supplied separately and should be specified when ordering the Gland.

ASSEMBLY SEQUENCE

- a) Screw item 2 into apparatus (secure with item 1 if plain hole entry).
- b) Pass items 5, 3 and 4 over cable before commencing to strip outer sheath.
- c) Remove the outer sheath to the desired length depending on the lengths of leads required.
- d) Pass item 3 over the cable and splay out the armour wires one by one and then cut the armour wires according to the size of the washer. Insert the third metal washer over the inner sheath of the cable so that the bent armours are secured between the metal washer and the gland body.
- e) Push the cable through item 2 and screw the item 5 into item 2. While doing so, the grooved rubber ring will contract in a radial direction and will grip the outer sheath of the cable.

HEX SINGLE COMPRESSION MEDIUM DUTY TYPE CABLE GLANDS

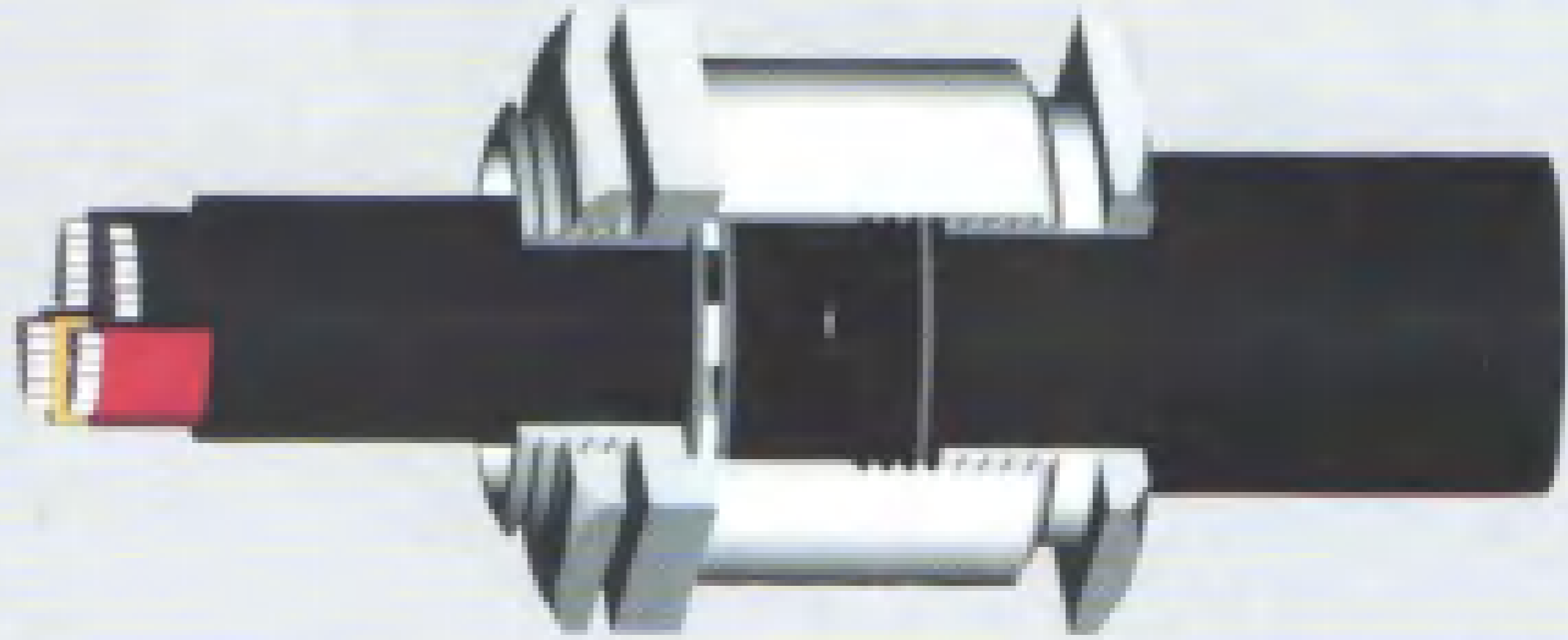


Suitable Cable Overall Dia.(mm)		Nipple Entry Thread		Cable Gland Dimensions							Product Code
From	To	Inch.	mm	A	B	C	D	E	F	G	
12.0	10.0	3/8"	10	11.5	12.5	15.5	7.5	20.5	18.0	2.5	HC - 3/8"
15.0	10.0	1/2"	12	12.0	15.0	15.5	8.5	25.0	22.0	3.0	HC - 1/2"
16.0	10.0	5/8"	16	14.5	16.5	18.5	8.0	24.0	21.0	2.5	HC - 5/8"
16.5	14.0	3/4"	19	14.5	17.5	19.0	8.5	26.0	23.0	2.5	HC - 3/4"
17.5	16.5	7/8"	22	14.5	20.0	18.5	8.5	29.0	25.0	3.0	HC - 7/8"
20.5	18.5	1"	25	20.5	23.0	25.0	9.0	33.0	29.0	3.0	HC - 1"
27.5	22.5	1-1/8"	28	24.0	28.0	28.5	10.5	40.0	35.0	3.5	HC - 1-1/8"
27.5	26.5	1-1/4"	32	27.0	32.0	31.5	11.0	46.0	40.0	3.5	HC - 1-1/4"
33.0	29.6	1-3/8"	35	29.5	35.5	34.5	11.0	50.0	44.0	4.0	HC - 1-3/8"
37.0	33.5	1-1/2"	38	33.0	39.5	38.0	11.5	54.0	47.0	4.0	HC - 1-1/2"
40.0	37.5	1-3/4"	45	40.0	44.5	44.0	11.5	62.0	54.0	4.5	HC - 1-3/4"
43.0	43.5	2"	50	45.0	51.5	50.0	13.0	69.0	60.0	5.0	HC - 2"
52.0	49.0	2-1/4"	57	51.5	58.0	56.5	13.0	78.0	68.0	5.0	HC - 2-1/4"
56.0	64.5	2-1/2"	63	57.5	62.5	63.0	14.0	82.0	72.0	5.0	HC - 2-1/2"
67.0	61.5	2-3/4"	70	63.5	69.0	69.0	15.0	90.0	80.0	5.0	HC - 2-3/4"
73.0	66.5	3"	75	68.0	75.0	75.0	16.0	99.0	87.0	5.5	HC - 3"
74.0	72.5	3-1/4"	82	75.0	81.5	82.0	16.0	105.0	92.0	6.0	HC - 3-1/4"
83.0	80.5	3-1/2"	88	81.5	86.5	88.0	16.0	115.0	102.0	6.0	HC - 3-1/2"
95.0	84.0	4"	100	92.0	101.0	100.0	17.0	126.0	110.0	6.5	HC - 4"
108.0	100.0	4-1/2"	112	107.0	109.0	105.0	20.0	148.0	129.5	7.5	HC - 4-1/2"

HEX SINGLE COMPRESSION HEAVY DUTY (SIBG) TYPE CABLE GLANDS

TECHNICAL DATA :

Material	: Brass as per IS 319 Also available in Al./S.S./M.S.
Plating	: Nickel Standard Chrome on request
Entry Threads	: Metric Standard Also available in PG/BSC/NPT/BSP/NT
Sealing Rubber Ring	: Synthetic / Natural
Gland Standard	: IS 12943 : 2005
Ingress Protection	: IP-65 as per IS/IEC 60529 : 2001
Test Cert.No.	: CIMFR/TC/P/H/420 (Dt.04.09.2012)
Series	: HCSCG



APPLICATION :

Single Compression Glands are used under regular climatic conditions. These are Weather Proof and Dust Proof (IP 60) and may be used in corrosive conditions when protected by a shroud.

PARTS OF GLAND :

- 1) Brass Check Nut
- 2) Brass Gland Body
- 3) MS Washers (3 Nos.)
- 4) Rubber Outer Seal
- 5) Brass Compression Nut

All metal parts are accurately machined for ease of assembly.

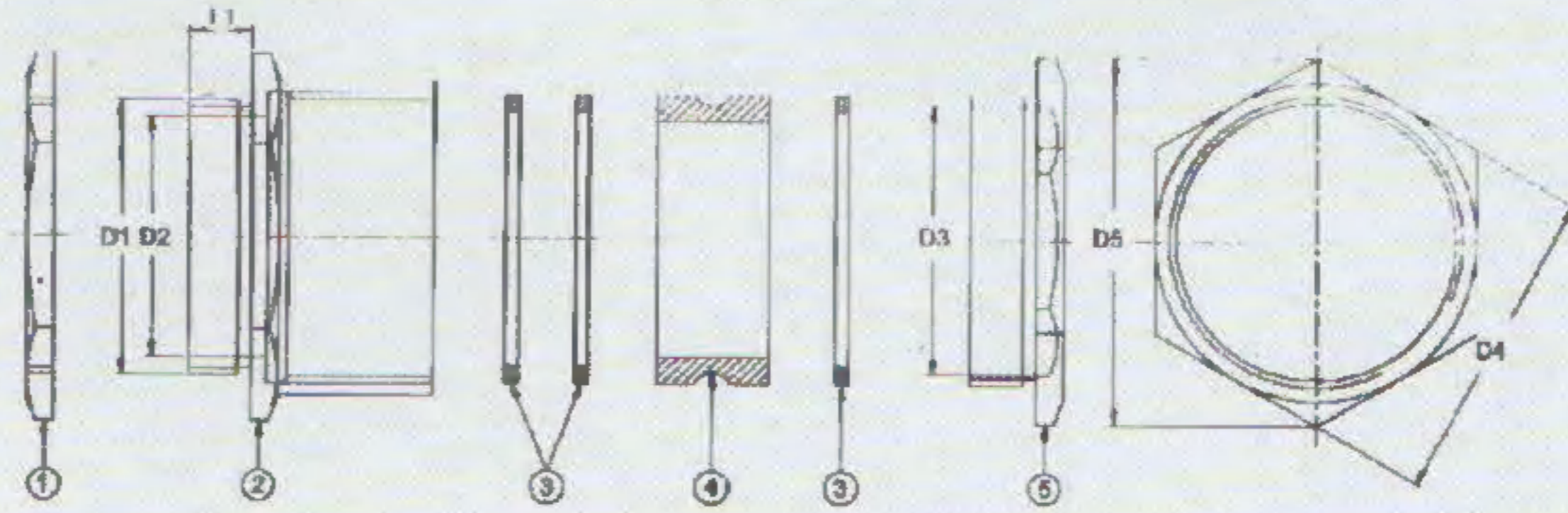
ACCESSORIES

Shrouds and Earth tags are supplied separately and should be specified when ordering the Gland.

ASSEMBLY SEQUENCE

- a) Screw item 2 into apparatus (secure with item 1 if plain hole entry).
- b) Pass items 5, 3 and 4 over cable before commencing to strip outer sheath.
- c) Remove the outer sheath to the desired length depending on the lengths of leads required.
- d) Pass item 3 over the cable and splay out the armour wires one by one and then cut the armour wires according to the size of the washer. Insert the third metal washer over the inner sheath of the cable so that the bent armours are secured between the metal washer and the gland body.
- e) Push the cable through item 2 and screw the item 5 into item 2. While doing so, the grooved rubber ring will contract in a radial direction and will grip the outer sheath of the cable.

HEX SINGLE COMPRESSION HEAVY DUTY (SIBG) TYPE CABLE GLANDS



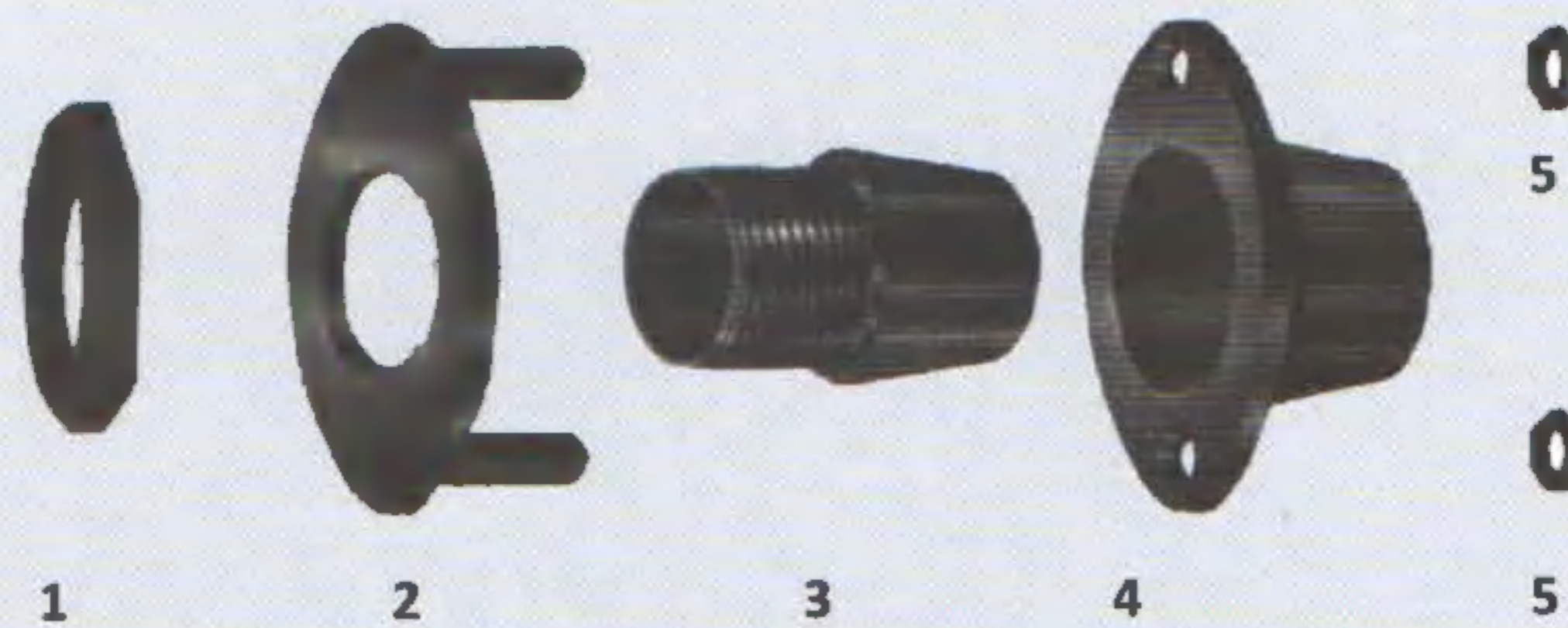
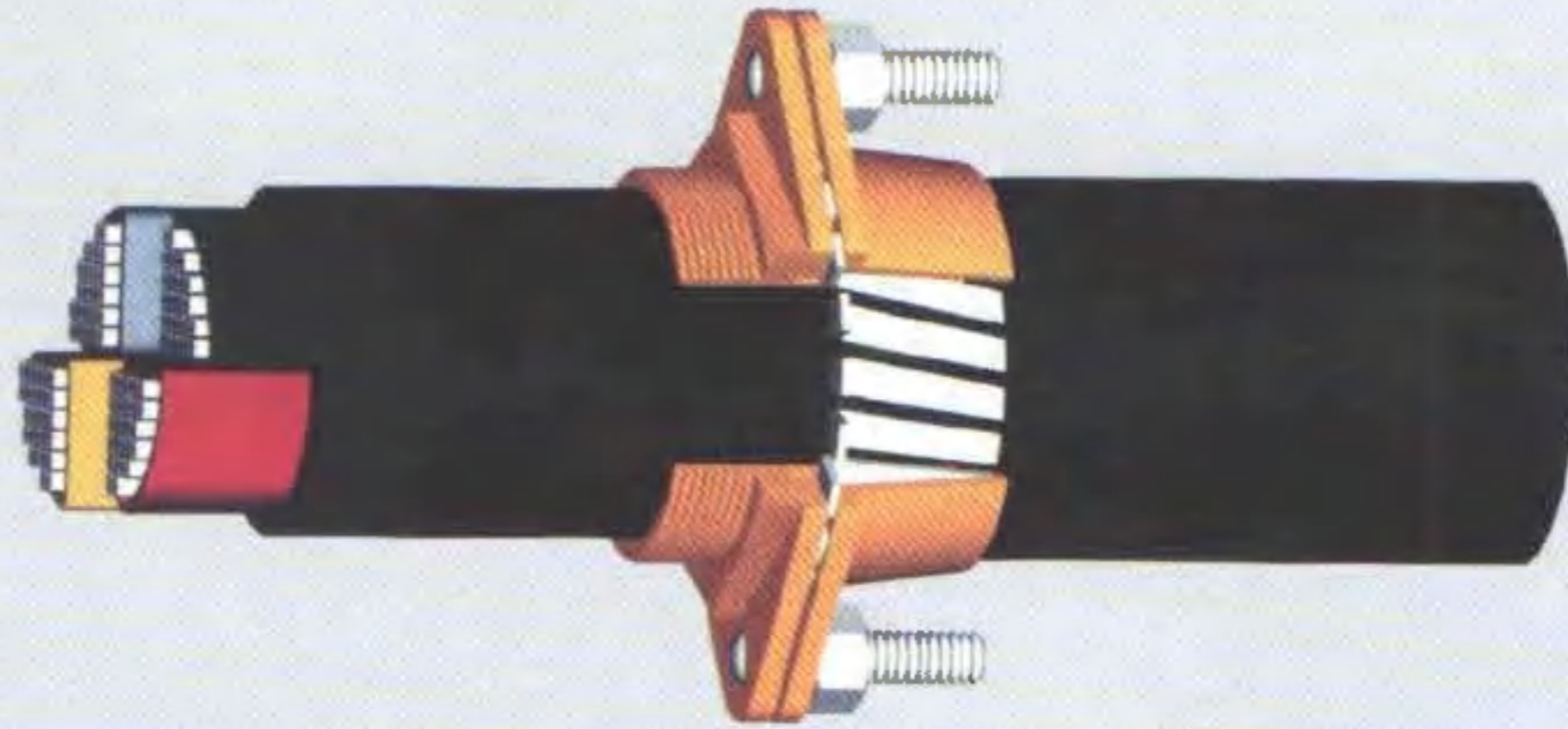
Suitable Cable. Overall Dia.(mm)		D1 Nipple Entry Thread mm	D2 Dia mm	D3 Dia mm	D4 (A / F) mm	D5 (A / C) mm	L1 Length mm	Product Code
From	To							
9.0	12.0	16	12	16	22	25.5	9	HCSCG-1
12.0	15.0	16	12	18.5	25	29	9	HCSCG-2
12.0	15.0	20	15	18.5	25	29	9	HCSCG-3
15.0	18.0	20	15	24	30	34.5	9.5	HCSCG-4
16.0	20.0	25	20.5	24	31.5	36	9.5	HCSCG-5
20.0	24.0	25	20.5	28.5	35	40	10	HCSCG-6
24.0	28.0	32	27	33	40	46	12	HCSCG-7
28.0	32.0	40	34	37	46	53	12	HCSCG-8
33.0	37.0	40	34	41	50	57.5	12	HCSCG-9
37.0	42.0	50	44	47	58	67	13	HCSCG-10
43.0	48.0	50	44	52	65	75	13	HCSCG-11
49.0	54.0	63	55	61.5	73	84	14	HCSCG-12
55.0	60.0	63	55	65	77	89	14	HCSCG-13
61.0	66.0	75	68	71	85	98	15	HCSCG-14
67.0	72.0	75	67	76	90	104	15	HCSCG-15
73.0	78.0	82	73	82	97	112	17	HCSCG-16
79.0	84.0	90	81	91	108	124	19	HCSCG-17
84.5	92.0	100	91	98	117	135	20	HCSCG-18
93.0	100.0	110	100	107	127	146	25	HCSCG-19
101.0	115.0	125	113	118	142	164	25	HCSCG-20

NOTE : Pitch of threads is 1.5 mm.

HEX FLANGE TYPE CABLE GLANDS

TECHNICAL DATA :

Material	: Brass as per IS 319
Plating	: Natural
Entry Threads	: BSC/ET
Series	: HGF



APPLICATION :

Flange type glands are mainly used for armoured cables and are very easy and comfortable in fitting and give a strong grip to hold the cable. All the electricity boards and reputed firms use these type of cable glands.

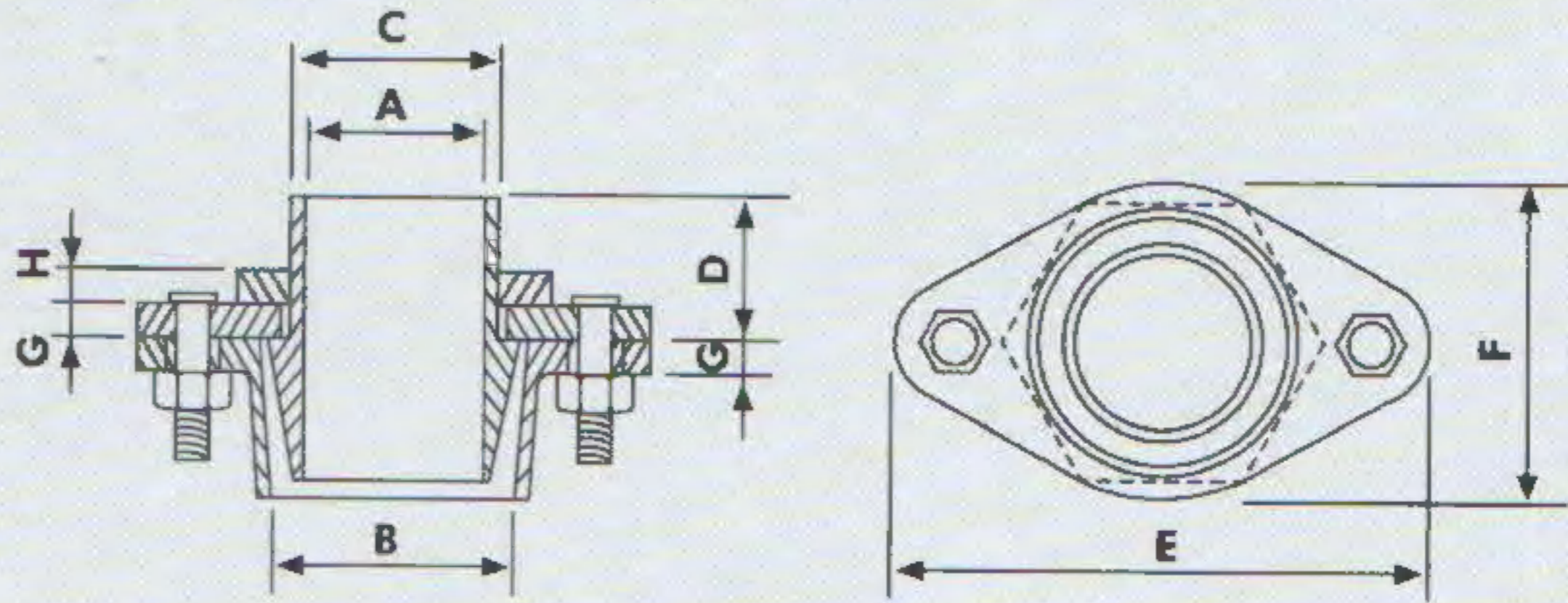
PARTS OF GLAND :

- 1) Brass Check Nut
- 2) Brass Strip with MS Bolts
- 3) Brass Center Part
- 4) Brass Gland Body
- 5) MS Nut (2 Nos.)

ASSEMBLY SEQUENCE:

- a) Insert item 2 into item 3 and screw item 3 into apparatus (secure with item 1 if plain hole entry).
- b) Remove the outer sheath of the cable and pass item 4 over the exposed armour.
- c) Cut the armour to required length, lift and bend wire ends.
- d) Push the cable into item 3 over exposed bedding and beneath the armour.
- e) Engage the bolts with item 4, tighten up using item 5.

HEX FLANGE TYPE CABLE GLANDS

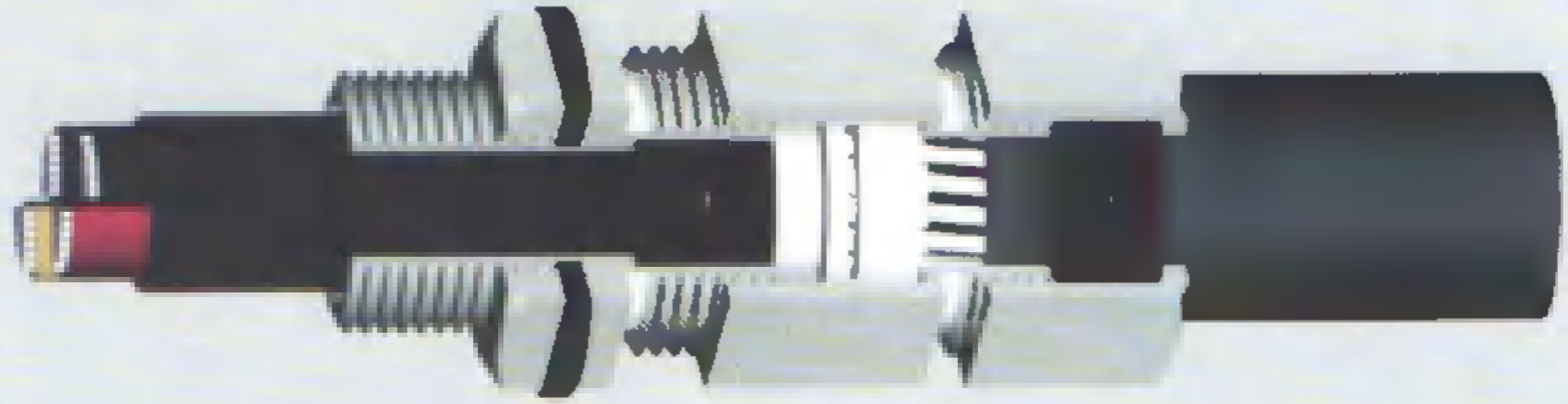


Suitable Cable Overall Dia. (mm)		Nipple Entry Thread		Cable Gland Dimensions								Product Code
From	To	Inch.	mm	A	B	C	D	E	F	G	H	
12.0	16.0	5/8"	16	12.5	17.0	15.5	13.0	45.0	28.0	2.5	3.0	HGF 5
16.0	18.0	3/4"	19	15.0	20.0	18.5	14.0	54.0	29.0	2.5	3.0	HGF 4
18.0	21.0	3/4"	19	06.0	21.0	19.5	15.0	55.0	30.0	2.5	3.0	HGF 3
21.0	25.0	1"	25	21.0	26.0	25.0	16.0	60.0	36.5	2.5	3.0	HGF 2
25.0	29.0	1.1/4"	32	27.0	32.0	31.5	17.0	65.0	43.0	3.0	4.0	HGF 1
29.0	33.0	1.3/8"	35	31.5	35.5	35.0	17.0	74.0	50.0	3.5	4.5	HGF 11
33.0	35.0	1.1/2"	38	33.5	37.5	37.5	20.0	76.0	51.5	3.5	4.5	HGF 0
35.0	38.0	1.1/2"	38	33.5	40.0	38.0	20.0	77.0	52.0	3.5	4.5	HGF 00
38.0	41.0	1.3/4"	45	37.5	43.0	41.0	18.0	84.0	56.0	3.5	4.5	HGF 38
41.0	45.0	1.3/4"	45	43.0	49.5	46.0	20.0	92.0	66.0	4.0	5.0	HGF 001
45.0	52.0	2"	50	49.0	53.5	53.0	20.5	96.0	68.5	4.0	5.0	HGF 002
52.0	59.0	2.1/4"	57	56.0	61.0	59.5	22.0	106.0	78.0	4.0	5.0	HGF 003
59.0	67.0	2.1/2"	63	60.5	65.0	65.0	22.0	114.0	81.5	4.0	5.0	HGF 0033
67.0	76.0	3"	75	69.5	75.5	75.0	22.0	135.0	95.5	4.5	5.5	HGF 004
76.0	84.0	4"	100	92.5	96.5	98.5	25.0	158.0	114.0	5.5	6.5	HGF 005

HEX DOUBLE COMPRESSION TYPE CABLE GLANDS MEDIUM DUTY

TECHNICAL DATA :

Material	: Brass as per IS 319
Plating	: Nickel
Entry Threads	: BSC/ET
Series	: HDC



APPLICATION :

These glands are used under most climatic conditions and are used in corrosive conditions when protected by a shroud.

PARTS OF GLAND :

- | | |
|-------------------------------|-------------------------------|
| 1) Brass Check Nut | 2) Rubber Washer |
| 3) Brass Gland Body | 4) Rubber Inner Seal |
| 5) Brass Armour Clamping Cone | 6) Brass Armour Clamping Ring |
| 7) Brass Armour Clamping Nut | 8) Rubber Outer Seal |
| 9) Brass Compression Nut | |

All metal parts are accurately machined for ease of assembly.

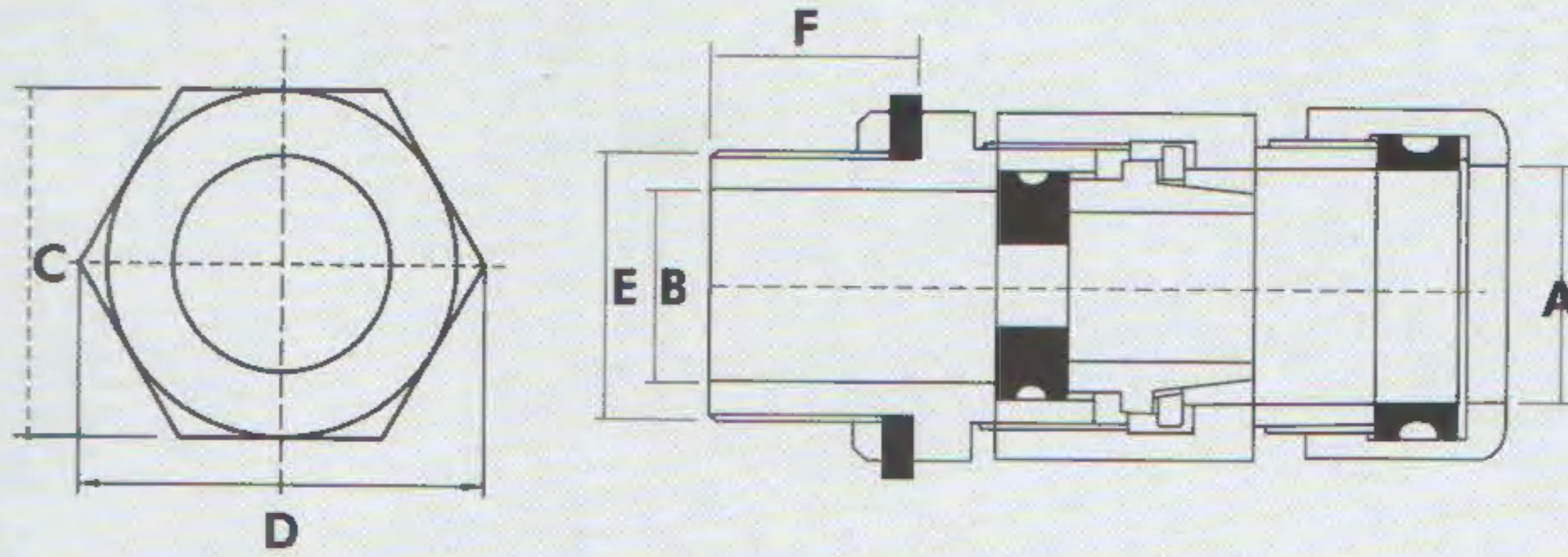
ACCESSORIES :

Shrouds and Earth Tags are supplied separately and should be specified when ordering the gland.

ASSEMBLY SEQUENCE :

- Engage & tighten item 2 and 3 into apparatus (Secure with item 1 if plain hole entry).
- Pass item 9, 8 and 7 respectively over the cable before commencing to strip outer sheath.
- Remove the sheath to the desired length depending on the lengths of leads required and pass item 6 over the exposed armour.
- Cut the armour to length, lift wire ends, pass item 5 over the exposed bedding and beneath the armour.
- Insert items 4 and 3 on the bedding of the cable.
- Engage and tighten items 7 and 3.
- Engage and tighten items 9 and 7.

HEX DOUBLE COMPRESSION TYPE CABLE GLANDS MEDIUM DUTY

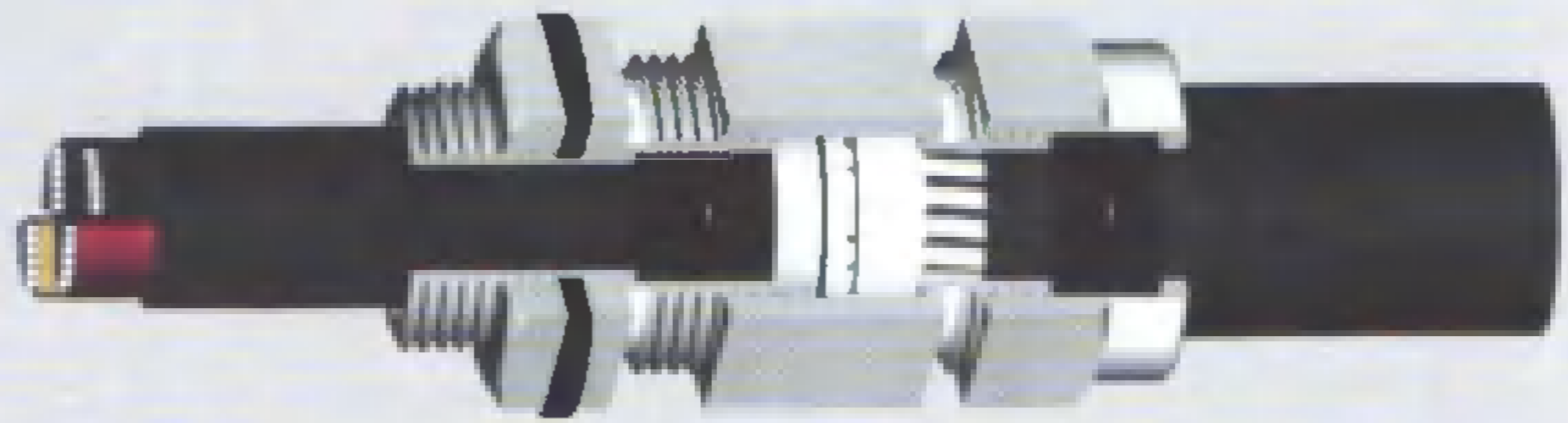


Suitable Cable. Overall Dia.(mm)		Gland Size		A Dia	B Dia	E Nipple Entry	F Length	Product Code
From	To	Inch.	mm	mm	mm	Thread mm	mm	
6.0	9.0	3/8"	10.0	10.0	7.0	5/8"	25.0	HDC - 3/8"
6.0	12.0	1/2"	12.0	13.5	11.0	5/8"	25.0	HDC - 1/2"
12.0	16.5	5/8"	16.0	16.5	14.0	3/4"	25.0	HDC - 5/8"
16.5	18.5	3/4"	19.0	19.0	14.0	3/4"	25.0	HDC - 3/4"
18.5	20.0	7/8"	22.0	20.0	14.0	3/4"	25.0	HDC - 7/8"
20.0	23.0	1"	25.0	23.5	19.0	1"	25.0	HDC - 1"
23.0	26.0	1 1/8"	28.0	27.0	22.5	1 1/8"	25.0	HDC - 1 1/8"
26.0	30.0	1 1/4"	32.0	32.0	25.5	1 1/4"	25.0	HDC - 1 1/4"
30.0	33.0	1 3/8"	35.0	35.0	27.5	1 1/2"	25.0	HDC - 1 3/8"
33.0	37.0	1 1/2"	38.0	38.0	31.0	1 1/2"	25.0	HDC - 1 1/2"
37.0	41.0	1 3/4"	45.0	44.5	42.0	2"	25.0	HDC - 1 3/4"
41.0	46.0	2"	50.0	51.0	42.0	2"	25.0	HDC - 2"
46.0	52.0	2 1/4"	57.0	57.0	50.0	2 1/4"	25.0	HDC - 2 1/4"
52.0	54.0	2 1/2"	63.0	63.0	54.5	2 1/2"	25.0	HDC - 2 1/2"
54.0	61.0	2 3/4"	70.0	69.5	62.0	2 3/4"	25.0	HDC - 2 3/4"
61.0	72.0	3"	75.0	75.0	65.0	3"	25.0	HDC - 3"
72.0	78.0	3 1/4"	82.0	82.0	74.5	3 1/4"	25.0	HDC - 3 1/4"
78.0	84.0	3 1/2"	88.0	88.0	78.0	3 1/2"	25.0	HDC - 3 1/2"
84.0	94.0	4"	100.0	98.0	87.0	4"	25.0	HDC - 4"

HEX WEATHER PROOF DOUBLE COMPRESSION TYPE CABLE GLANDS

TECHNICAL DATA :

Material	: Brass as per IS 319 Also available in Al./S.S./M.S.
Plating	: Nickel Standard Chrome on request
Entry Threads	: BSC Standard Also available in PG/Metric/NPT/BSP/ET
Sealing Rubber Ring	: Neoprene
Gland Standard	: BS 6121
Ingress Protection	: IP-65 as per IS/IEC 60529 : 2001
Test Cert.No.	: CIMFR/TC/P/H/419 (Dt.04.09.2012)
Series	: HCGW



APPLICATION :

These glands are used under most climatic conditions and are used in corrosive conditions when protected by a shroud.

PARTS OF GLAND :

- | | |
|-------------------------------|-------------------------------|
| 1) Brass Check Nut | 2) Rubber Washer |
| 3) Brass Gland Body | 4) Rubber Inner Seal |
| 5) Brass Armour Clamping Cone | 6) Brass Armour Clamping Ring |
| 7) Brass Armour Clamping Nut | 8) Rubber Outer Seal |
| 9) Brass Compression Nut | |

All metal parts are accurately machined for ease of assembly.

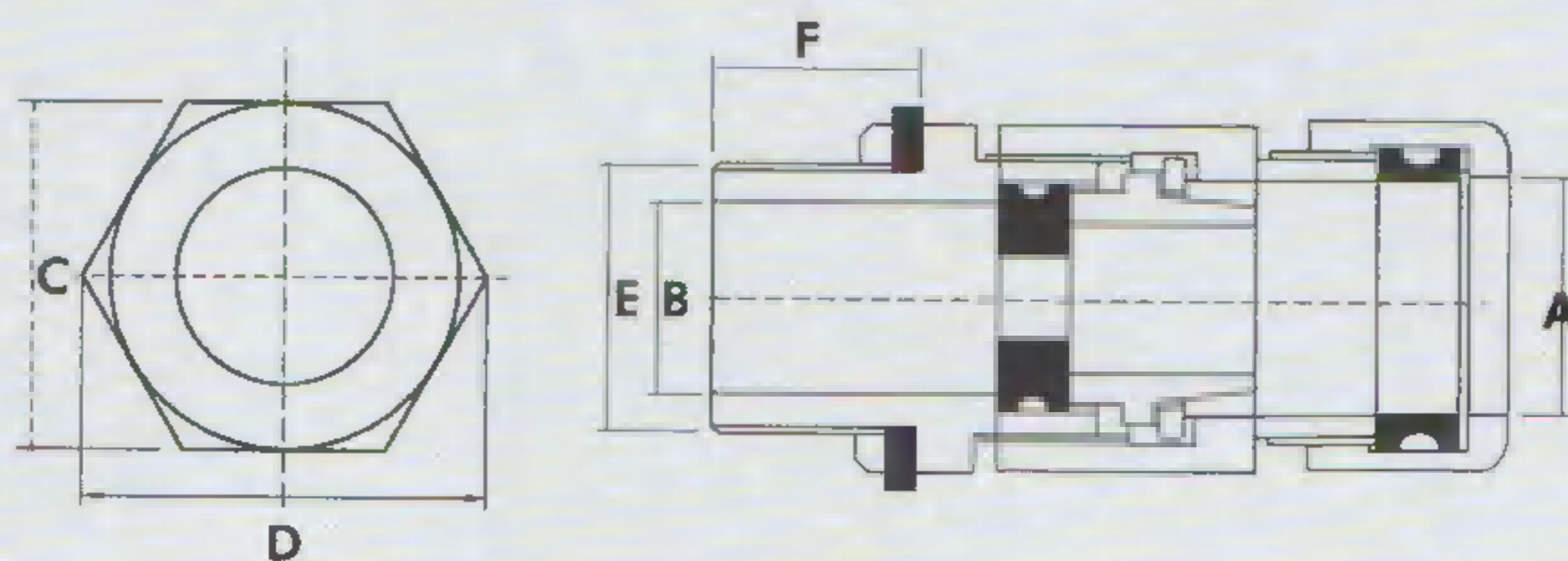
ACCESSORIES :

Shrouds and Earth Tags are supplied separately and should be specified when ordering the gland.

ASSEMBLY SEQUENCE :

- Engage & tighten item 2 and 3 into apparatus (Secure with item 1 if plain hole entry).
- Pass item 9, 8 and 7 respectively over the cable before commencing to strip outer sheath.
- Remove the sheath to the desired length depending on the lengths of leads required and pass item 6 over the exposed armour.
- Cut the armour to length, lift wire ends, pass item 5 over the exposed bedding and beneath the armour.
- Insert items 4 and 3 on the bedding of the cable.
- Engage and tighten items 7 and 3.
- Engage and tighten items 9 and 7.

HEX WEATHER PROOF DOUBLE COMPRESSION TYPE CABLE GLANDS

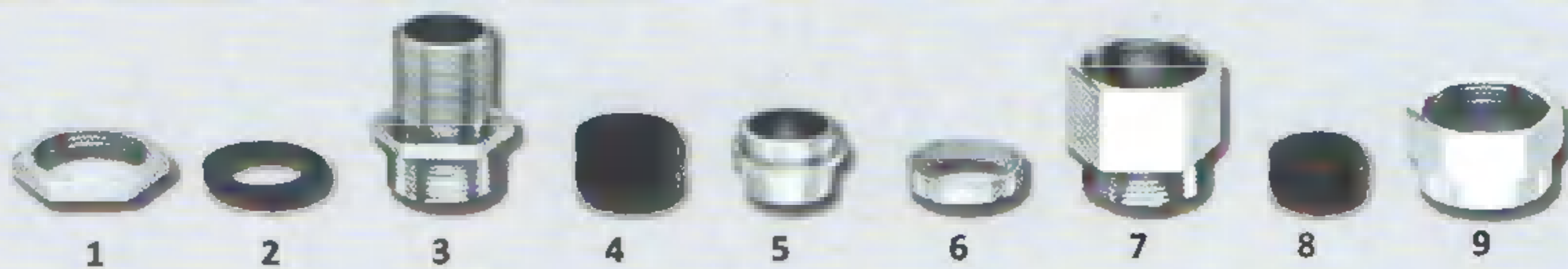
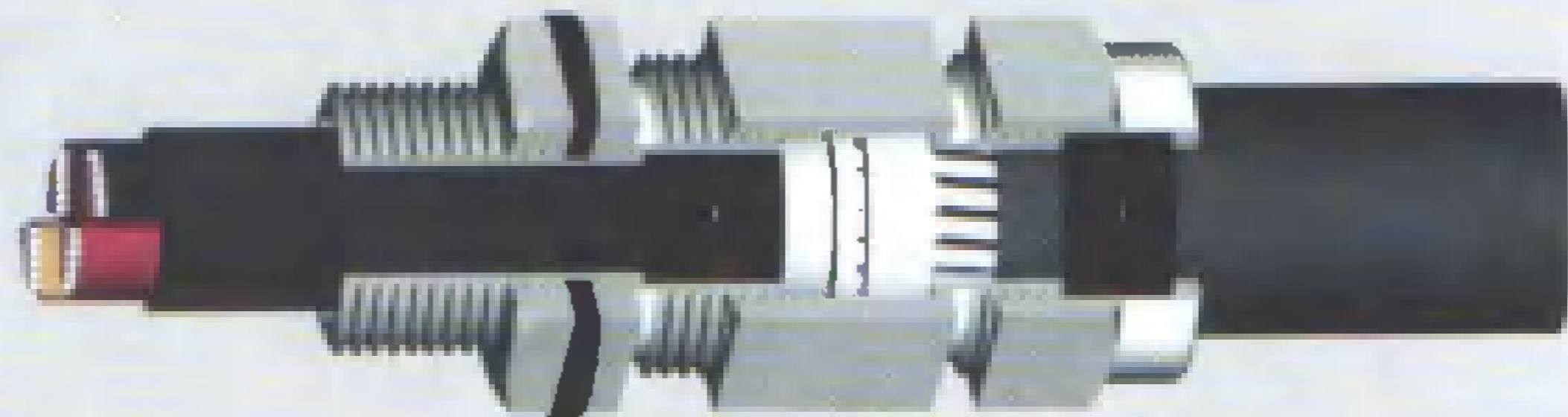


Suitable Cable. Overall Dia.(mm)		A Dia	B Dia	C (A / F)	D (A / C)	E Nipple Entry Thread		F Length	Product Code
From	To	mm	mm	mm	mm	Inch	mm	mm	
6.0	13.0	14.0	12.0	24.0	28.0	3/4"	M20	13.0	HCGW01SS
13.0	16.5	18.0	14.05	25.0	29.0	3/4"	M20	15.0	HCGW01S
16.5	18.5	19.5	14.5	27.0	31.5	3/4"	M20	15.0	HCGW01
16.5	18.5	19.5	18.0	27.0	31.5	1"	M25	15.0	HCGW01A
18.5	20.0	21.0	18.0	31.0	36.5	1	M25	15.0	HCGW02
18.5	20.0	21.0	14.5	31.0	36.5	3/4"	M20	15.0	HCGW02A
20.0	23.0	24.0	18.0	31.0	36.5	1"	M25	15.0	HCGW03
23.0	26.0	27.5	20.0	37.0	44.0	1"	M25	15.0	HCGW04
23.0	26.0	27.5	24.0	37.0	44.0	1.1/4"	M32	15.0	HCGW04A
26.0	30.0	31.0	25.0	41.0	47.0	1.1/4"	M32	15.0	HCGW05
26.0	30.0	31.0	26.0	41.0	47.0	1.1/2"	M40	15.0	HCGW05A
30.0	33.0	34.0	31.0	46.0	54.0	1.1/2"	M40	15.0	HCGW06
30.0	33.0	34.0	27.0	46.0	54.0	1.1/4"	M32	15.0	HCGW06A
33.0	37.0	38.0	31.0	51.0	59.0	1.1/2"	M40	15.0	HCGW07
37.0	41.0	42.5	39.0	56.0	64.5	2"	M50	15.0	HCGW08
41.0	46.0	47.0	39.5	59.0	67.0	2"	M50	20.0	HCGW09
46.0	52.0	53.0	44.0	66.0	76.5	2"	M50	20.0	HCGW010
46.0	52.0	53.0	48.0	66.0	76.5	2.1/2"	M63	20.0	HCGW010A
52.0	54.0	58.0	56.0	74.0	85.0	2.1/2"	M63	20.0	HCGW011S
54.0	61.0	61.0	56.0	80.0	92.0	2.1/2"	M63	20.0	HCGW011
61.0	66.0	68.0	64.0	84.0	97.0	3"	M75	20.0	HCGW012
66.0	72.0	73.0	67.0	90.0	103.0	3"	M75	20.0	HCGW013A
72.0	78.0	80.0	74.0	99.0	113.0	3.1/4"	M75	20.0	HCGW013
78.0	84.0	80.0	74.0	98.0	113.0	3.1/4"	M82	20.0	HCGW014
84.0	94.0	97.0	90.5	117.0	135.0	4"	M100	20.0	HCGW015
94.0	104.0	106.0	102.0	130.0	150.0	4.1/2"	M110	20.0	HCGW016

HEX FLAME PROOF-CUM-WEATHER PROOF DOUBLE COMPRESSION TYPE CABLE GLANDS (GAS GROUP IIA, IIB ZONE 1 & 2 ATMOSPHERE)

TECHNICAL DATA :

Material	: Brass as per IS 319 Also available in Al./S.S./M.S.
Plating	: Nickel Standard Chrome on request
Entry Threads	: Metric Standard Also available in BSC/PG/NPT/BSP/ET
Sealing Rubber Ring	: Neoprene
Gland Standard	: BS 6121
Ingress Protection	: Flame Proof testing as per IS/IEC-60079-1 : 2007 Weather Proof testing as per IS/IEC : 60529 : 2001 (IP-66)
Test Cert.No.	: CIMFR/TC/P/H 834 (Dt.21.03.2014)
Series	: HCGF



APPLICATION:

These Glands are used in flammable gas / vapours area as well as in climatic conditions which are weather proof, water proof and dust proof (IP 66). They may be used in corrosive conditions when protected by a shroud.

PARTS OF GLAND :

- | | |
|-------------------------------|-------------------------------|
| 1) Brass Check Nut | 2) Rubber Washer |
| 3) Brass Gland Body | 4) Rubber Inner Seal |
| 5) Brass Armour Clamping Cone | 6) Brass Armour Clamping Ring |
| 7) Brass Armour Clamping Nut | 8) Rubber Outer Seal |
| 9) Brass Compression Nut | |

All metal parts are accurately machined for ease of assembly.

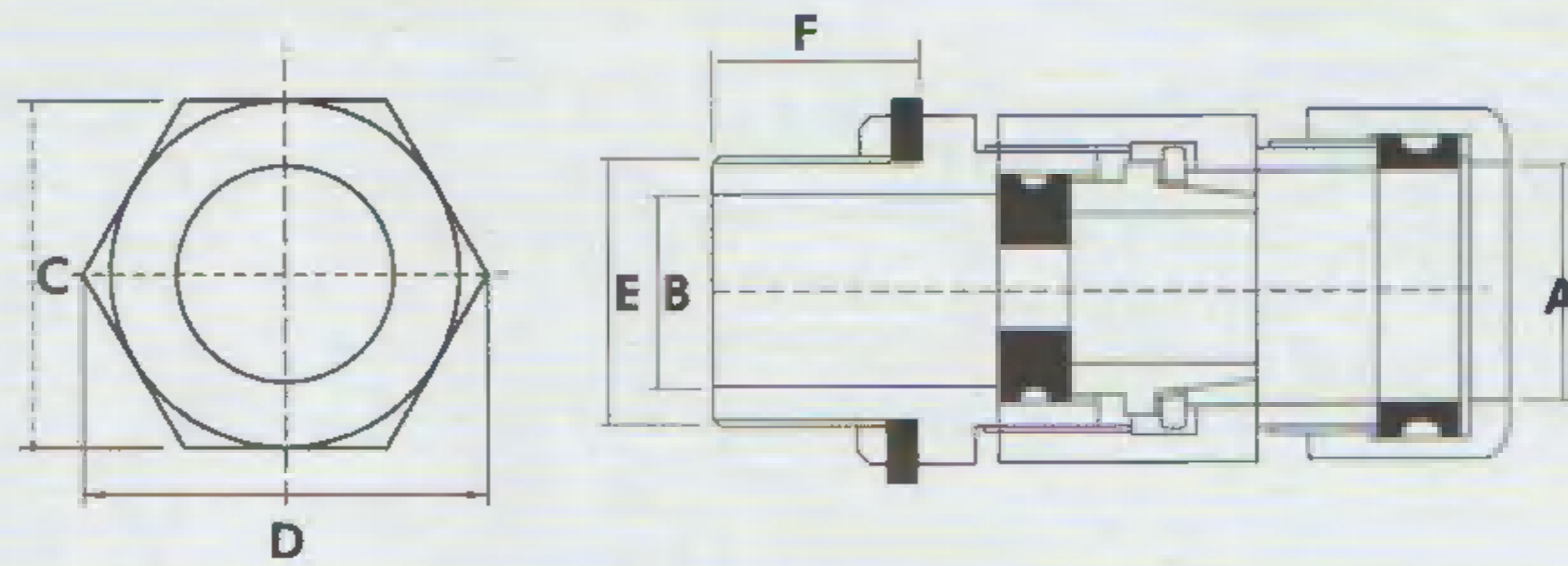
ACCESSORIES :

Shrouds, Earth Tags, Stopping Plugs, Reducers, Adaptors, etc are available separately and should be specified when ordering the gland.

ASSEMBLY SEQUENCE :

- Engage & tighten item 2 and 3 into apparatus (Secure with item 1 if plain hole entry).
- Pass item 9, 8 and 7 respectively over the cable before commencing to strip outer sheath.
- Remove the sheath to the desired length depending on the lengths of leads required and pass item 6 over the exposed armour.
- Cut the armour to length, lift wire ends, pass item 5 over the exposed bedding and beneath the armour.
- Insert items 4 and 3 on the bedding of the cable.
- Engage and tighten items 7 and 3.
- Engage and tighten items 9 and 7.

**HEX FLAME PROOF-CUM-WEATHER PROOF
DOUBLE COMPRESSION TYPE CABLE GLANDS
(GAS GROUP IIA, IIB ZONE 1 & 2 ATMOSPHERE)**

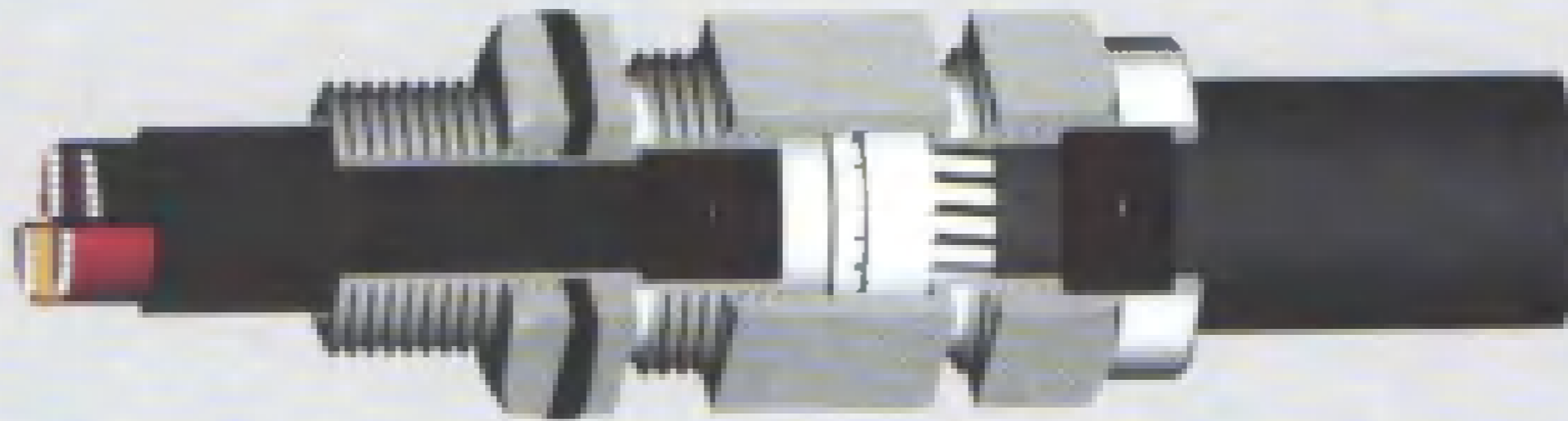


Suitable Cable. Overall Dia.(mm)		A Dia mm	B Dia mm	C (A / F) mm	D (A / C) mm	E Nipple Entry Thread		F Length mm	Product Code
From	To	mm	mm	mm	mm	Inch	mm		
6.0	13.0	14.0	12.0	24.0	28.0	3/4"	M20	25.0	HCGF01SS
13.0	16.5	18.0	14.05	25.0	29.0	3/4"	M20	25.0	HCGF01S
16.5	18.5	19.5	14.5	27.0	31.5	3/4"	M20	25.0	HCGF01
16.5	18.5	19.5	18.0	27.0	31.5	1"	M25	25.0	HCGF01A
18.5	20.0	21.0	18.0	31.0	36.5	1	M25	25.0	HCGF02
18.5	20.0	21.0	14.5	31.0	36.5	3/4"	M20	25.0	HCGF02A
20.0	23.0	24.0	18.0	31.0	36.5	1"	M25	25.0	HCGF03
23.0	26.0	27.5	20.0	37.0	44.0	1"	M25	25.0	HCGF04
23.0	26.0	27.5	24.0	37.0	44.0	1.1/4"	M32	25.0	HCGF04A
26.0	30.0	31.0	25.0	41.0	47.0	1.1/4"	M32	25.0	HCGF05
26.0	30.0	31.0	26.0	41.0	47.0	1.1/2"	M40	25.0	HCGF05A
30.0	33.0	34.0	31.0	46.0	54.0	1.1/2"	M40	25.0	HCGF06
30.0	33.0	34.0	27.0	46.0	54.0	1.1/4"	M32	25.0	HCGF06A
33.0	37.0	38.0	31.0	51.0	59.0	1.1/2"	M40	25.0	HCGF07
37.0	41.0	42.5	39.0	56.0	64.5	2"	M50	25.0	HCGF08
41.0	46.0	47.0	39.5	59.0	67.0	2"	M50	25.0	HCGF09
46.0	52.0	53.0	44.0	66.0	76.5	2"	M50	25.0	HCGF010
46.0	52.0	53.0	48.0	66.0	76.5	2.1/2"	M63	25.0	HCGF010A
52.0	54.0	58.0	56.0	74.0	85.0	2.1/2"	M63	25.0	HCGF011S
54.0	61.0	61.0	56.0	80.0	92.0	2.1/2"	M63	25.0	HCGF011
61.0	66.0	68.0	64.0	84.0	97.0	3"	M75	25.0	HCGF012
66.0	72.0	73.0	67.0	90.0	103.0	3"	M75	25.0	HCGF013A
72.0	78.0	80.0	74.0	98.0	113.0	3.1/4"	M82	25.0	HCGF013
78.0	84.0	85.0	78.0	105.0	121.0	3.1/2"	M90	25.0	HCGF014
84.0	94.0	97.0	90.5	117.0	135.0	4"	M100	25.0	HCGF015
94.0	104.0	106.0	102.0	130.0	150.0	4.1/2"	M110	25.0	HCGF016

HEX FLAME PROOF-CUM-WEATHER PROOF DOUBLE COMPRESSION TYPE CABLE GLANDS (GAS GROUP IIC ZONE 1 & 2 ATMOSPHERE)

TECHNICAL DATA :

Material	: Brass as per IS 319 Also available in Al./S.S./M.S.
Plating	: Nickel Standard Chrome on request
Entry Threads	: Metric Standard Also available in BSC/PG/NPT/BSP/ET
Sealing Rubber Ring	: Neoprene
Gland Standard	: BS 6121
Ingress Protection	: Flame Proof testing as per IS/IEC-60079-1 : 2007 Weather Proof testing as per IS/IEC : 60529 : 2001 (IP-66)
Test Cert.No.	: CIMFR/TC/P/H 492 (Dt.08.02.2013)
Series	: HCGFIC



APPLICATION:

These Glands are used in hydrogen gas / vapours area as well as in climatic conditions which are weather proof, water proof and dust proof (IP 66). They may be used in corrosive conditions when protected by a shroud.

PARTS OF GLAND :

- | | |
|-------------------------------|-------------------------------|
| 1) Brass Check Nut | 2) Rubber Entry Seal Ring |
| 3) Brass Gland Body | 4) Rubber Inner Seal Ring |
| 5) Brass Armour Clamping Cone | 6) Brass Armour Clamping Ring |
| 7) Brass Armour Clamping Nut | 8) Rubber Outer Ring |
| 9) Nylon Skid Washer | 10) Brass Compression Nut |

All metal parts are accurately machined for ease of assembly.

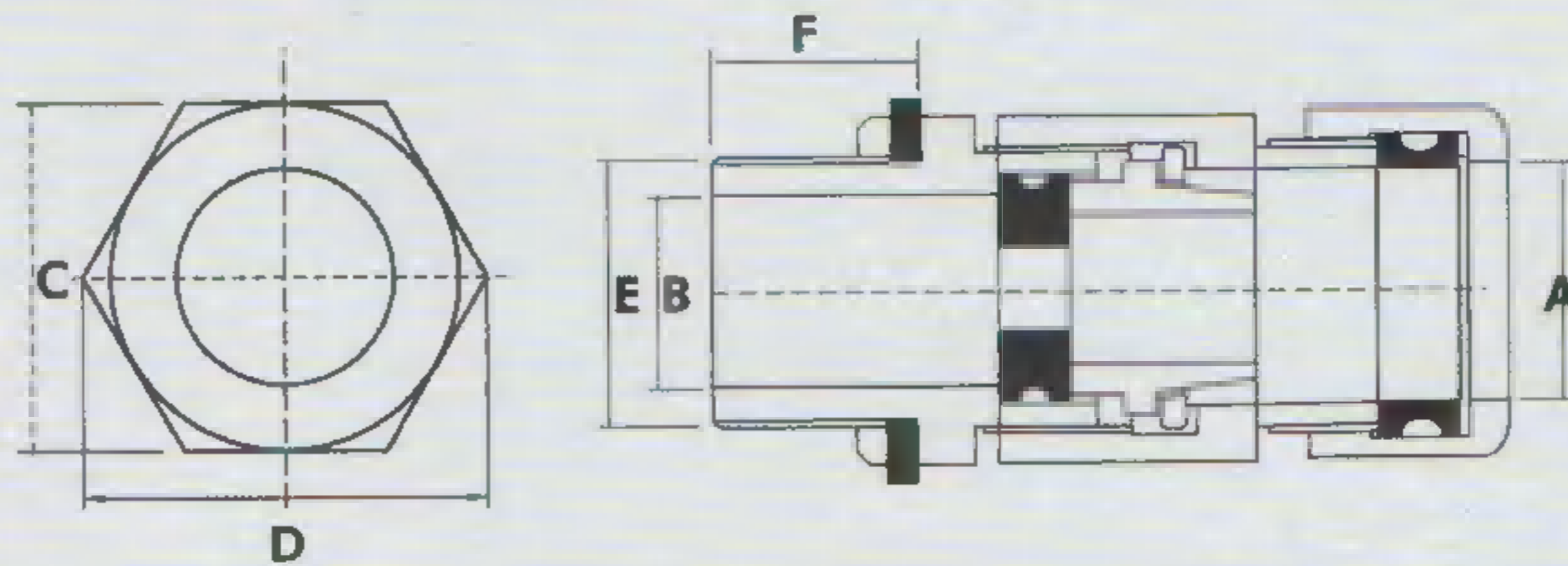
ACCESSORIES

Shrouds and Earth tags are supplied separately and should be specified when ordering the gland.

ASSEMBLY SEQUENCE

- Engage & tighten item 2 and 3 into apparatus (Secure with item 1 if plain hole entry).
- Pass item 10, 9, 8 and 7 respectively over the cable before commencing to strip outer sheath.
- Remove the sheath to the desired length depending on the lengths of leads required and pass item 6 over the exposed armour.
- Cut the armour to length, lift wire ends, pass item 5 over the exposed bedding and beneath the armour.
- Insert items 4 and 3 on the bedding of the cable.
- Engage and tighten items 7 and 3.
- Engage and tighten items 9 and 7.

**HEX FLAME PROOF-CUM-WEATHER PROOF
DOUBLE COMPRESSION TYPE CABLE GLANDS
(GAS GROUP IIC ZONE 1 & 2 ATMOSPHERE)**

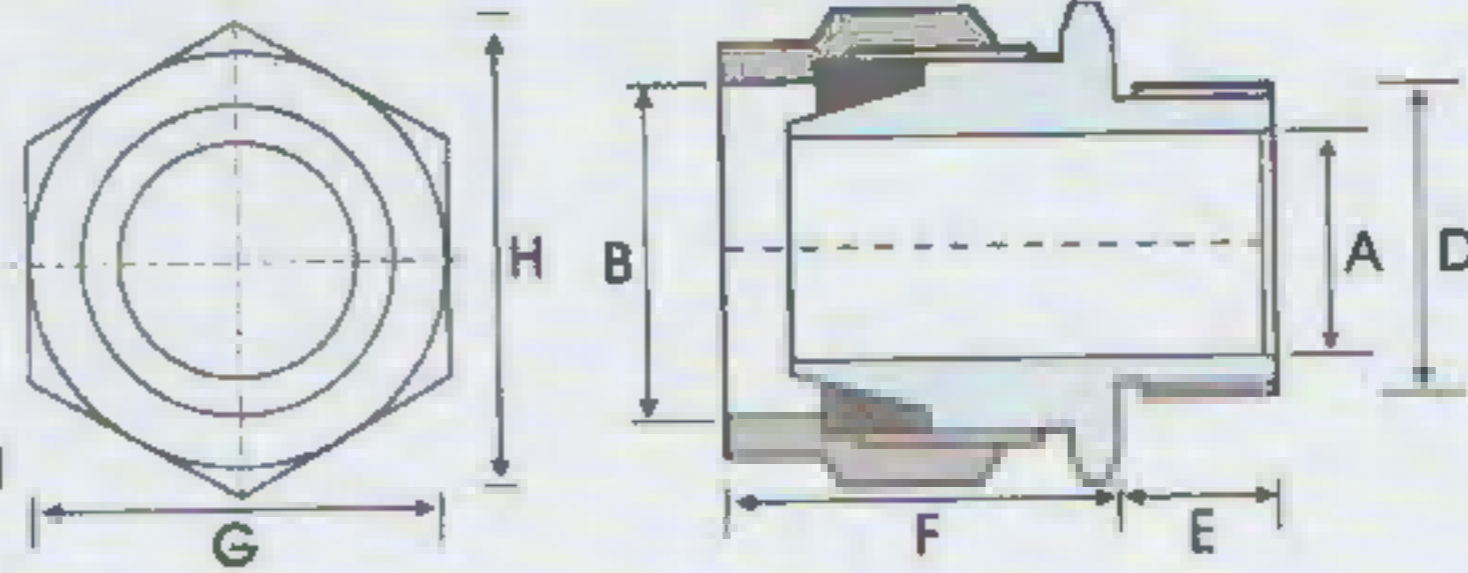


Suitable Cable. Overall Dia.(mm)		A Dia	B Dia	C (A / F)	D (A / C)	E Nipple Entry Thread		F Length	Product Code
From	To	mm	mm	mm	mm	Inch	mm	mm	
6.0	13.0	14.0	12.0	21.0	24.5	3/4"	M20	25.0	HCGFIIC01SS
13.0	16.5	18.0	14.05	25.0	29.0	3/4"	M20	25.0	HCGFIIC01S
16.5	18.5	19.5	14.5	27.0	31.5	3/4"	M20	25.0	HCGFIIC01
16.5	18.5	19.5	18.0	27.0	31.5	1"	M25	25.0	HCGFIIC01A
18.5	20.0	21.0	18.0	31.0	36.5	1	M25	25.0	HCGFIIC02
18.5	20.0	21.0	14.5	31.0	36.5	3/4"	M20	25.0	HCGFIIC02A
20.0	23.0	24.0	18.0	31.0	36.5	1"	M25	25.0	HCGFIIC03
23.0	26.0	27.5	20.0	37.0	44.0	1"	M25	25.0	HCGFIIC04
23.0	26.0	27.5	24.0	37.0	44.0	1.1/4"	M32	25.0	HCGFIIC04A
26.0	30.0	31.0	25.0	41.0	47.0	1.1/4"	M32	25.0	HCGFIIC05
26.0	30.0	31.0	26.0	41.0	47.0	1.1/2"	M40	25.0	HCGFIIC05A
30.0	33.0	34.0	31.0	46.0	54.0	1.1/2"	M40	25.0	HCGFIIC06
30.0	33.0	34.0	27.0	46.0	54.0	1.1/4"	M32	25.0	HCGFIIC06A
33.0	37.0	38.0	31.0	51.0	59.0	1.1/2"	M40	25.0	HCGFIIC07
37.0	41.0	42.5	39.0	56.0	64.5	2"	M50	25.0	HCGFIIC08
41.0	46.0	47.0	39.5	59.0	67.0	2"	M50	25.0	HCGFIIC09
46.0	52.0	53.0	44.0	66.0	76.5	2"	M50	25.0	HCGFIIC010
46.0	52.0	53.0	48.0	66.0	76.5	2.1/2"	M63	25.0	HCGFIIC010A
52.0	54.0	58.0	56.0	74.0	85.0	2.1/2"	M63	25.0	HCGFIIC011S
54.0	61.0	61.0	56.0	80.0	92.0	2.1/2"	M63	25.0	HCGFIIC011
61.0	66.0	68.0	64.0	84.0	97.0	3"	M75	25.0	HCGFIIC012
66.0	72.0	73.0	67.0	90.0	103.0	3"	M75	25.0	HCGFIIC013A
72.0	78.0	80.0	74.0	98.0	113.0	3.1/4"	M82	25.0	HCGFIIC013
78.0	84.0	85.0	78.0	105.0	121.0	3.1/2"	M90	25.0	HCGFIIC014
84.0	94.0	97.0	90.5	117.0	135.0	4"	M100	25.0	HCGFIIC015
94.0	104.0	106.0	102.0	130.0	150.0	4.1/2"	M110	25.0	HCGFIIC016

BW CABLE GLANDS (4 PART)

TECHNICAL DATA :

Material	: Brass as per IS 319
Plating	: Nickel Standard Chrome on request
Entry Threads	: Metric Standard Also available in BSC/PG/NPT/BSP/ET
Sealing Rubber Ring	: Nitrile/Neoprene/Natural
Gland Standard	: BS 6121
Ingress Protection	: IP3X
Series	: HBW



APPLICATION :

For use with armoured or braided cable, provides mechanical cable retention and electrical continuity via armoured wire termination. These glands are mainly used in dry and indoor conditions.

DESIGN FEATURES :

3 part armour lock with cone and lock ring provided for additional grip to the armour.

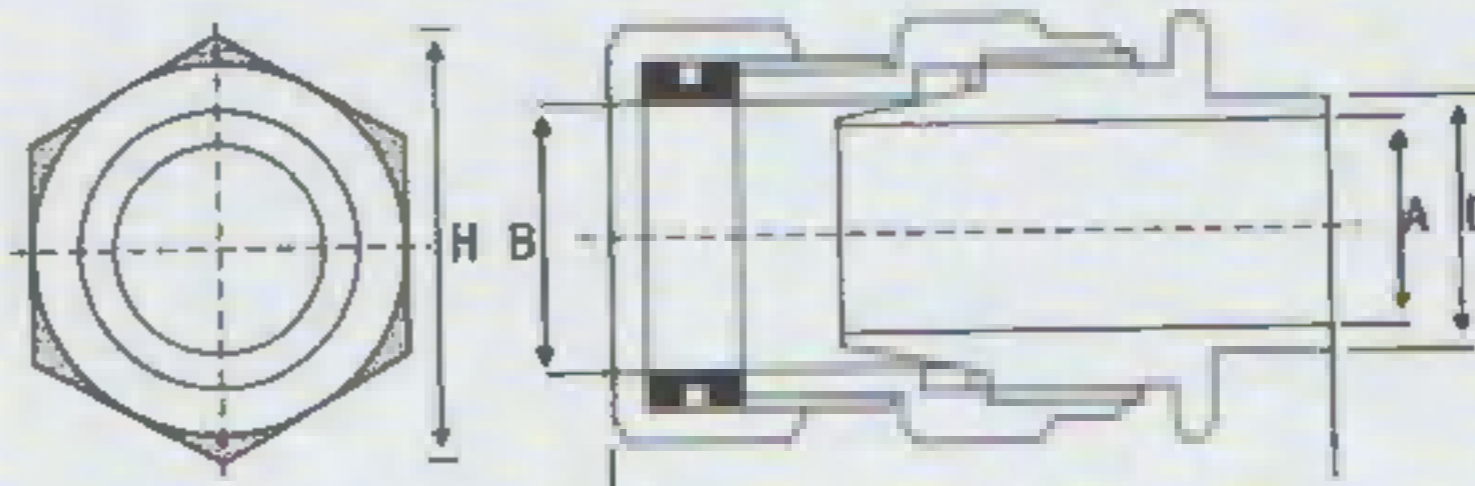
Also available in CIEL (Cast Integral Earth Lug). For orders add 'C' to Prod. Code.

Size	Cable Dimensions Accomodate		Gland Dimensions					Product Code
	Under Armour Dia. A Max. mm	Overall Dia. B Max. mm	ISO Entry Thread Length		Approx length from shoulder	Hexagon Size		
			D mm	E mm		Across flat	Across corners	
					F mm	G mm	H mm	
16 S	8.00	12.00	M16	9.00	20.00	20.00	22.00	HBW - 16 S
16 L	8.60	13.50	M16	9.00	20.00	20.00	22.00	HBW - 16 L
20 S	12.30	17.00	M20	9.00	20.00	22.00	24.00	HBW - 20 S
20 L	14.30	20.00	M20	9.50	20.00	25.00	27.00	HBW - 20 L
25 S	19.00	23.25	M25	9.50	22.00	31.00	34.00	HBW - 25 S
25 L	20.40	27.00	M25	9.50	22.00	33.50	37.00	HBW - 25 L
32 S	23.50	28.50	M32	9.50	25.00	35.00	38.50	HBW - 32 S
32 L	26.50	33.50	M32	9.50	25.00	40.00	45.00	HBW - 32 L
40 S	31.00	37.50	M40	12.50	25.00	44.50	49.00	HBW - 40 S
40 L	33.00	41.50	M40	12.50	25.00	48.50	54.00	HBW - 40 L
50 S	39.50	48.00	M50	12.50	28.00	56.50	63.50	HBW - 50 S
50 L	44.00	54.00	M50	12.50	30.00	61.00	68.00	HBW - 50 L
63 S	50.50	60.50	M63	14.00	33.00	69.50	77.00	HBW - 63 S
63 L	56.00	65.00	M63	14.00	33.00	75.50	84.50	HBW - 63 L
75 S	62.50	72.00	M75	14.00	40.00	83.50	93.00	HBW - 75 S
75 L	67.50	78.50	M75	14.00	40.00	89.50	99.00	HBW - 75 L
90 S	75.00	85.00	M90	20.00	48.00	100.00	110.00	HBW - 90 S
90 L	78.00	88.50	M90	20.00	48.00	102.00	115.00	HBW - 90 L

CW CABLE GLANDS (4 PART)

TECHNICAL DATA :

Material	: Brass as per IS 319
Plating	: Nickel Standard Chrome on request
Entry Threads	: Metric Standard Also available in BSC/PG/NPT/BSP/ET
Sealing Rubber Ring	: Nitrile/Neoprene/Natural
Gland Standard	: BS 6121
Ingress Protection	: IP66
Series	: HCW



APPLICATION :

For use with armoured or braided cable. Provides environmental seal on the cable outer sheath. Also provides mechanical cable retention and electrical continuity via armoured wire termination. These glands are mainly used in outdoor and indoor conditions.

DESIGN FEATURES :

4 part armour lock with cone and lock ring provided for additional grip to the armour.

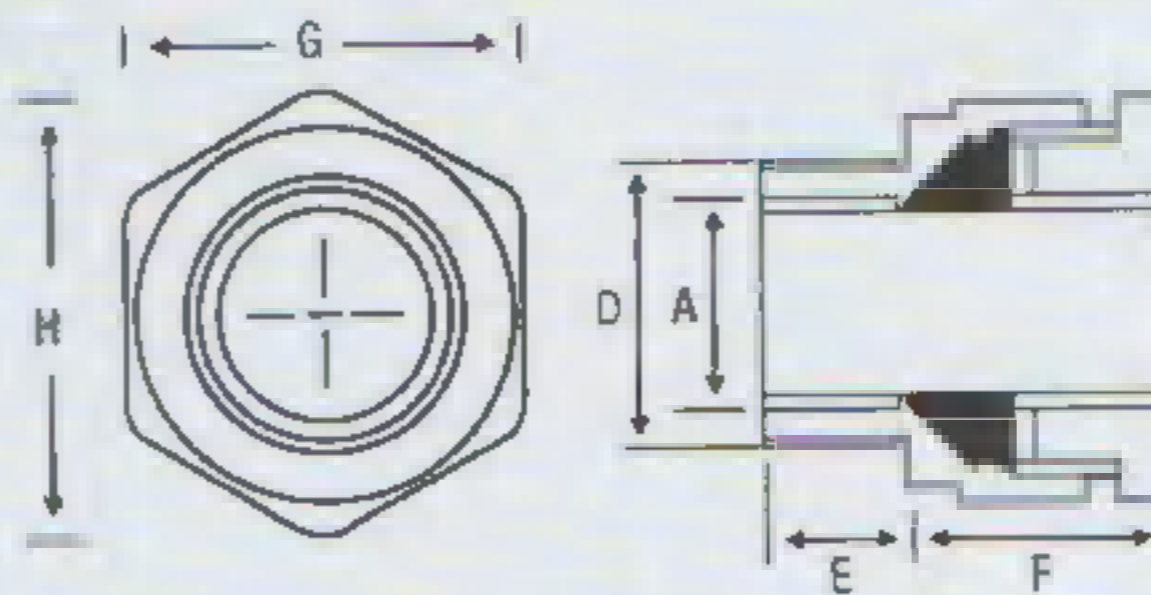
Also available in CIEL (Cast Integral Earth Lug). For orders add 'C' to Prod. Code.

Size	Cable Dimensions Accomodate		Gland Dimensions					Product Code
	Under Armour Dia. A Max. mm	Overall Dia. B Max. mm	ISO Entry Thread		Approx length from shoulder	Hexagon Size		
			Dia.	Length		Across flat	Across corners	
			D mm	E mm	F mm	G mm	H mm	
16 S	8.00	11.00	M16	10.00	40.00	20.00	23.00	HCW - 16 S
16 L	9.00	13.00	M16	10.00	40.00	20.00	23.00	HCW - 16 L
20 S	12.50	15.00	M20	10.00	42.00	22.00	24.00	HCW - 20 S
20 L	14.30	19.00	M20	10.00	42.00	26.00	29.00	HCW - 20 L
25 S	14.80	23.60	M25	10.00	44.00	31.00	34.00	HCW - 25 S
25 L	20.70	27.00	M25	10.00	44.00	34.90	38.00	HCW - 25 L
32 S	26.50	31.00	M32	10.00	46.00	41.00	45.70	HCW - 32 S
32 L	27.00	32.50	M32	10.00	46.00	41.25	46.00	HCW - 32 L
40 S	31.70	37.00	M40	13.50	50.00	55.00	50.00	HCW - 40 S
40 L	33.25	39.00	M40	13.50	50.00	49.00	54.00	HCW - 40 L
50 S	39.80	46.00	M50	14.00	57.00	56.00	62.70	HCW - 50 S
50 L	44.00	50.00	M50	14.00	57.00	62.30	69.50	HCW - 50 L
63 S	50.50	59.00	M63	14.00	70.00	72.50	81.00	HCW - 63 S
63 L	56.00	62.00	M63	14.00	61.00	76.00	85.00	HCW - 63 L
75 S	62.70	71.00	M75	15.00	65.00	85.00	95.00	HCW - 75 S
75 L	67.90	77.50	M75	15.00	66.00	91.00	103.00	HCW - 75 L
90 S	76.00	84.00	M90	20.00	80.00	100.00	110.00	HCW - 90 S
90 L	78.00	89.00	M90	20.00	82.00	103.00	114.00	HCW - 90 L

A1 / A2 CABLE GLANDS

TECHNICAL DATA :

Material	: Brass as per IS 319
Plating	: Nickel Standard Chrome on request
Entry Threads	: Metric Standard Also available in BSC/PG/NPT/BSP/ET
Sealing Rubber Ring	: Nitrile/Neoprene/Natural
Gland Standard	: EN 50262
Ingress Protection	: IP66
Series	: HA2



APPLICATION :

For use with all unarmoured cables with rubber outer sheath. Secures outer sheath of cable. Displacement seal concept makes it suitable for Indoor and Outdoor application.

DESIGN FEATURES :

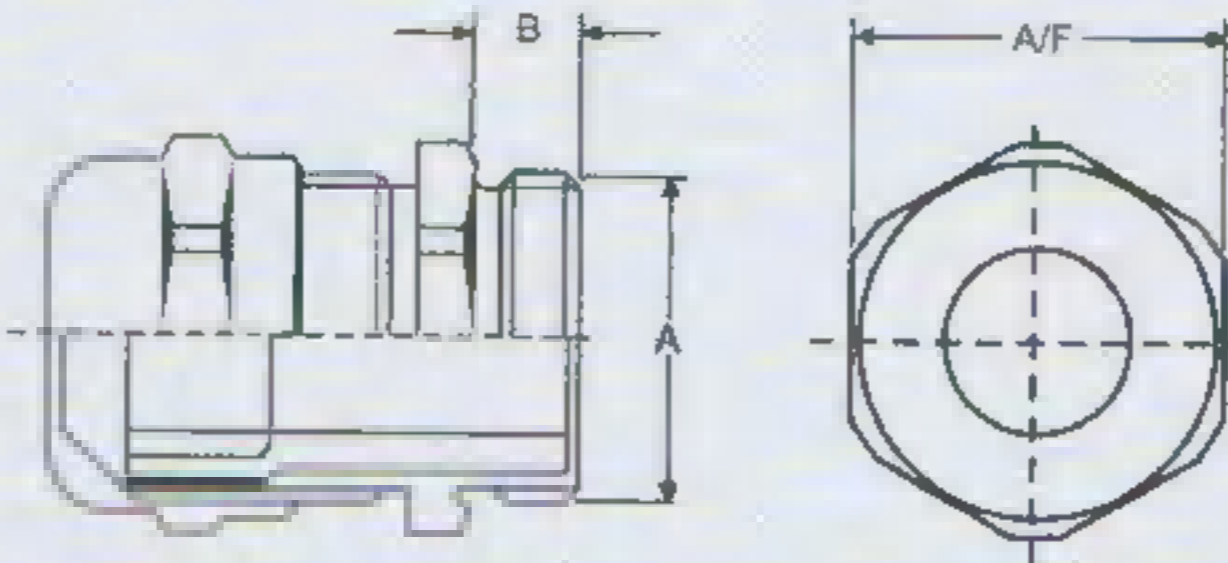
Outer displacement seal.

Size	Cable Dimensions Accomodate		Gland Dimensions					Product Code
	Under Armour Dia. A Max. mm	Overall Dia. B Max. mm	ISO Entry Thread Dia. Length		Approx length from shoulder F mm	Hexagon Size		
			D mm	E mm		Across flat G mm	Across corners H mm	
16 S	3.50	7.00	M16	10.00	20.00	21.00	24.00	HA2 - 16 S
16 L	4.50	8.50	M16	10.00	22.00	21.00	24.00	HA2 - 16 L
20 S	8.00	11.50	M20	10.00	24.00	22.00	24.00	HA2 - 20 S
20 L	11.00	14.00	M20	10.00	24.00	24.00	26.00	HA2 - 20 L
25 S	14.00	17.50	M25	10.00	25.00	27.00	30.00	HA2 - 25 S
25 L	17.50	20.00	M25	13.00	26.00	30.00	33.00	HA2 - 25 L
32 S	20.00	23.00	M32	13.00	28.00	36.00	40.00	HA2 - 32 S
32 L	23.00	26.00	M32	14.00	28.00	36.00	40.00	HA2 - 32 L
40 S	26.00	29.00	M40	15.00	31.00	44.00	49.00	HA2 - 40 S
40 L	30.00	33.00	M40	15.00	31.00	46.00	50.00	HA2 - 40 L
50 S	33.00	40.00	M50	15.00	33.00	55.00	61.00	HA2 - 50 S
50 L	38.00	44.00	M50	15.00	33.00	58.00	64.00	HA2 - 50 L
63 S	44.00	50.00	M63	15.00	35.00	67.00	74.00	HA2 - 63 S
63 L	50.00	55.00	M63	15.00	35.00	69.00	76.00	HA2 - 63 L
75 S	56.50	62.00	M75	15.00	35.00	78.00	87.00	HA2 - 75 S
75 L	62.00	65.00	M75	15.00	35.00	81.00	90.00	HA2 - 75 L
90 S	68.00	75.00	M90	20.00	50.00	100.00	112.00	HA2 - 90 S
90 L	68.00	78.00	M90	20.00	50.00	100.00	112.00	HA2 - 90 L
100 L	78.00	89.00	M100	22.00	50.00	112.00	125.00	HA2 - 100 L

IP68 RATING BRASS GLANDS

TECHNICAL DATA :

Material	: Brass as per IS 319
Plating	: Nickel Standard
Entry Threads	: Metric / PG
Rubber Seals (self extinguishing)	: Polyamide 6 insert Neoprene seal Neoprene O ring
Continuous operating temperature	: -20 to 100°C
Chemical resistance	: Resistant to normal organic solvents, minerals, animal & vegetable oils and fats, petrol.
Threading	: According to IEC 423, IEC 423A and EN 60423
Ingress Protection	: IP68
Series	: HIP 68



APPLICATION :

The perfect gland for unarmoured PVC, XLPE and other synthetic cables.

DESIGN FEATURES :

This Metal Gland is a unique product that is very different from traditional metal glands.

- It provides superior strain relief.
- Incorporates a unique 'camera shutter' principle which protects the cable.
- Cable fully insulated by plastic insert.

Mounting Thread		Min.	Max.	Width	Product Code
A Dia. (mm)	B Leng. (mm)	Cable Dia. (mm)	Cable Dia. (mm)	A/F (mm)	
12.0	5.0	3.0	6.0	14.0	HIP68 - 12M
16.0	5.0	5.0	10.0	17.0	HIP68 - 16M
20.0	6.0	8.0	13.0	22.0	HIP68 - 20M
25.0	7.0	11.0	17.0	27.0	HIP68 - 25M
32.0	8.0	15.0	21.0	34.0	HIP68 - 32M
40.0	8.0	19.0	28.0	43.0	HIP68 - 40M
50.0	9.0	26.0	35.0	55.0	HIP68 - 50M
63.0	10.0	32.0	42.0	65.0	HIP68 - 63M
7.0	6.0	2.0	2.0	14.0	HIP68 - 7PG
9.0	6.0	4.0	8.0	17.0	HIP68 - 9PG
11.0	6.0	5.0	10.0	20.0	HIP68 - 11PG
13.5	7.0	6.0	12.0	22.0	HIP68 - 13.5PG
16.0	7.0	9.0	14.0	24.0	HIP68 - 16PG
21.0	8.0	12.0	17.0	30.0	HIP68 - 21PG
29.0	8.0	18.0	25.0	26.0	HIP68 - 29PG
36.0	16.0	22.0	32.0	50.0	HIP68 - 36PG
42.0	16.0	30.0	38.0	58.0	HIP68 - 42PG
48.0	16.0	32.0	42.0	34.0	HIP68 - 48PG

GLAND KITS

KIT PACKING :

16/20 -32 inclusive

- 2-Brass glands
- 2-Black PVC shrouds
- 2-Galv. steel locknuts
- 2-Brass earthing tags

40-90 inclusive

- 1-Brass gland
- 1-Black PVC shroud
- 1-Galv. steel locknut
- 1-Brass earthing tag



PVC SHROUDS

MATERIAL : High Grade Poly Vinyl Chloride (PVC).

FEATURES :

- Provides additional protection & enhances IP rating of the glands.
- Effective solution to weather and corrosion protection of cable glands.
- Available in same gland size, compatible to each size of the cable glands.
- The arrow end of the sleeve is readily cut with a knife, enabling it to be slipped over a wide range of cable diameters and assists ease of installation.



LOW SMOKE & FUME (LSF) SHROUDS

MATERIAL : Low Smoke Poly Vinyl Chloride.

FEATURES :

- Manufactured from PVC with Low Smoke & Fume properties.
- Available in dark grey colour only.



LOCK NUTS

MATERIAL : Brass, Aluminium & Galvanized Steel.

FEATURES :

- Used in fastening glands to the gland plate.
- Available in Metric, Imperial, NPT, BSPT, BSP & PG threads.


SIZES : 16mm to 75mm

Size mm or inch.	Product Code	Size mm or inch.	Product Code
16mm or 5/8"	HGA LN-16	50mm or 2"	HGA LN-50
20mm or 3/4"	HGA LN-20	63mm or 2.1/2"	HGA LN-63
25mm or 1"	HGA LN-25	75mm or 3"	HGA LN-75
32mm or 1.1/4"	HGA LN-32	90mm or 3.1/2"	HGA LN-90
40mm or 1.1/2"	HGA LN-40		



FLAMEPROOF CUM WEATHERPROOF REDUCERS

Our reducers effectively reduce the entry thread diameter of enclosures to accept a gland or fitting with a smaller thread diameter.

THESE PRODUCTS ARE  APPROVED



- Material : Brass as per IS 319
Also available in Al./S.S.
- Plating : Nickel Standard
Also available in Chrome.
- Threads : Metric Standard
Also available in PG/BSC/NPT/BSP
- Sealing Rubber Ring : Neoprene
- Flameproof testing as per : IS/EC 60079-1:2007
- Weatherproof testing as per : IS/IEC 60529-2001
- Test Cert. No. : CIMFR/TC/P/H527
- Ingress Protection : IP-66
- Application : For use in Zone 1 & 2
and in Gas group IIC atmosphere.
- Pitch of threads : 1.5 mm

S. NO.	PROD. CODE	MALE THREAD	FEMALE THREAD
1	HCR 25X20	M25	M20
2	HCR 32X25	M32	M25
3	HCR 38X32	M38	M32
4	HCR 50X38	M50	M38
5	HCR 63X50	M63	M50
6	HCR 75X63	M75	M63

ACCESSORIES FOR GLANDS

FLAMEPROOF CUM WEATHERPROOF STOPPING PLUGS
Our Stopping Plugs may be used as a means of sealing & stopping unused threaded entries in flameproof enclosures.

THESE PRODUCTS ARE  APPROVED

S. NO.	PROD. CODE	THREAD SIZE
1	HCS 20	M25
2	HCS 25	M32
3	HCS 32	M38
4	HCS 50	M50
5	HCS 75	M63



Material : Brass as per IS 319
Also available in Al./S.S.

Plating : Nickel Standard
Also available in Chrome.

Threads : Metric Standard
Also available in PG/BSC/NPT/BSP

Sealing Rubber Ring : Neoprene

Flameproof testing as per : IS/EC 60079-1:2007

Weatherproof testing as per : IS/IEC 60529-2001

Test Cert. No. : CIMFR/TC/P/885

Ingress Protection : IP-66

Application : For use in Zone 1 & 2
and in Gas group IIC atmosphere.

Pitch of threads : 1.5 mm

TAMPER PROOF STOPPING PLUG
These are used to prevent unauthorized removal.




Material : Brass as per IS 319
Also available in Al./M.S./S.S.

Plating : Nickel Standard
Also available in Chrome.

Threads : BSC Standard
Also available in PG/Metric/NPT/BSP
Sizes : 3/4", 1", 1 1/4", 1 1/2", 2", 2 1/2"

FLAMEPROOF CUM WEATHERPROOF REDUCERS
Our reducers effectively reduce the entry thread diameter of enclosures to accept a gland or fitting with a smaller thread diameter.

THESE PRODUCTS ARE  APPROVED

S. NO.	PROD. CODE	MALE THREAD	FEMALE THREAD
1	HCR 25X20	M25	M20
2	HCR 32X25	M32	M25
3	HCR 38X32	M38	M32
4	HCR 50X38	M50	M38
5	HCR 63X50	M63	M50
6	HCR 75X63	M75	M63



Material : Brass as per IS 319
Also available in Al./S.S.

Plating : Nickel Standard
Also available in Chrome.

Threads : Metric Standard
Also available in PG/BSC/NPT/BSP

Sealing Rubber Ring : Neoprene

Flameproof testing as per : IS/EC 60079-1:2007

Weatherproof testing as per : IS/IEC 60529-2001

Test Cert. No. : CIMFR/TC/P/H527

Ingress Protection : IP-66

Application : For use in Zone 1 & 2
and in Gas group IIC atmosphere.

Pitch of threads : 1.5 mm