



Smart

Eco-friendly

Cost effective

The way

Technology

should be

Unrivalled Performance



Corporate Headquarters

Founded in 1988, Hicool is a leading brand in air moving products serving diverse markets including IT & Telecom, HVAC, Refrigeration, Industrial, Drive Systems, Automotive & Rail Technology, Medical & many more.

Our highly skilled & experienced engineers are ready to tackle your most difficult air moving challenges & offer tailored solutions that meet your requirements ensuring lowest lifetime cost.

Passionately involved in R&D we strongly believe in continuous improvement.

With state-of-the-art manufacturing facility, production capacity of over three million motors, test lab for performance, conditioning, endurance, noise level, airflow and static pressure, in house tools & dies development, small volume custom developed products, short turnaround time for samples - are a few reasons why customers are our loyal fans!

Do contact us to find the optimum solution for your individual application.



Contents

4 COMPACT FANS



5 COMPACT FANS - ALL METAL



6 LARGE AXIAL FANS



7 BACKWARD CURVED FANS



8 CENTRIFUGAL BLOWERS



9 Q MOTORS



10 C FRAME MOTORS



11 CROSS FLOW BLOWER





Compact Fans

DC Brushless Fans

Model	Bearing*	Voltage (VDC)	Current (mA)	Speed (RPM)	Air Flow (CFM)	Static Pressure (mm H ₂ O)	Noise (dBA)
60X60X20mm (Also available 60X60X25mm)							
6P12HSDC	Sleeve	12	180	4300	18	3.8	30
6P24HSDC	Sleeve	24	125	4300	18	3.8	30
80X80X25mm (Available upto 58 CFM)							
8P12HBDC	Ball	12	200	3000	38	4.5	34
8P24HBDC	Ball	24	150	3000	38	4.5	34
8P48HBDC	Ball	48	70	3000	38	4.5	34
92X92X25mm (Available upto 65 CFM)							
9P12HBDC	Ball	12	300	2500	55	5	40
9P24HBDC	Ball	24	200	2500	55	5	40
9P48HBDC	Ball	48	100	3000	55	5	40
120X120X38mm (Available upto 226 CFM)							
12P12HBDC	Ball	12	350	3000	105	8	50
12P24HBDC	Ball	24	250	3000	105	8	50
12P48HBDC	Ball	48	105	3000	105	8	50
172X150X51mm & 172X172X51mm (Available upto 310 CFM)							
17A12HBDC	Ball	12	1600	3000	210	13	60
17A24HBDC	Ball	24	750	3000	210	13	60
17A48HBDC	Ball	48	450	3000	210	13	60

Special Features - Fan Failure Alarm ■ Alarm Signal For Speed Monitoring ■ Higher Air Flow ■ Non-standard voltages

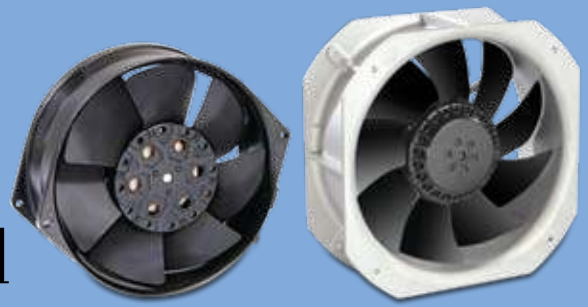
AC Axial Fans

Model	Bearing*	Voltage (VAC)	Frequency (Hz)	Current (mA)	Speed (RPM)	Watt (W)	Air Flow (CFM)	Static Pressure (mm H ₂ O)	Noise (dBA)
80X80X25mm									
8A230HBAC	Ball	230	50/60	70/60	2300/2800	14/12	21/25	4/4.8	29/34
92X92X25mm									
9A230HBAC	Ball	230	50/60	70/60	2300/2800	14/12	36/42	5/6	36/38
120X120X38mm									
12A230HBAC	Ball	230	50/60	100/90	2600/2800	18/17	95/102	8.4/9.4	42/45
172X150X51mm & 172X172X51mm (Available upto 250/293 CFM)									
17A230HBAC	Ball	230	50/60	250/245	2600/2750	38/37	190/235	16/21	45/50
220ΦX60mm & 220X220X60mm									
22A230HBAC	Ball	230	50	320	2300	50	360	23	56

Also available 24VAC, 115VAC & 415VAC
 Ask for Low Noise versions

*All fan models are available in sleeve bearing also

Specifications subject to change without notice



Compact Fans - All Metal

AC Axial

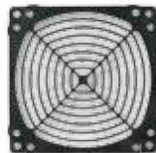
Model	Bearing	Voltage (VAC)	Frequency (Hz)	Current (mA)	Speed (RPM)	Watt (W)	Air Flow (CFM)	Static Pressure (mm H ₂ O)	Noise (dBA)
120 x 120 x 38 mm - Metal									
12A230HBAC-M	Ball	230	50/60	100/90	2700/3100	17/15	95/107	8.4/9.4	42/46
172 x 150 x 55 mm - Metal									
17A230HBAC-M	Ball	230	50/60	250/230	2800/3250	42/42	195/230	14/16	49/53
225 x 225 x 80 mm - Metal									
225A230HBAC-M	Ball	230	50/60	350/325	2550/2800	74/80	530/600	17/14	59/61
280 x 280 x 80 mm - Metal									
280A230HBAC-M	Ball	230	50/60	590/820	2550/2700	119/158	1090/1130	16.5/20	68/70

DC Brushless

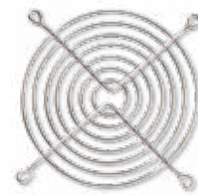
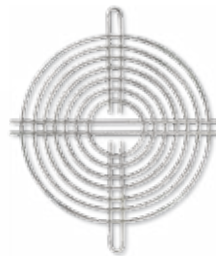
Model	Bearing*	Voltage (VDC)	Current (mA)	Speed (RPM)	Air Flow (CFM)	Static Pressure (mm H ₂ O)	Noise (dBA)
225 x 225 x 80 mm - Metal							
225A48HBDC - M	Ball	48	1100	2850	647	25	67
280 x 280 x 80 mm - Metal							
280A48HBDC - M	Ball	48	1900	2700	1130	22	69

Specifications subject to change without notice

Accessories



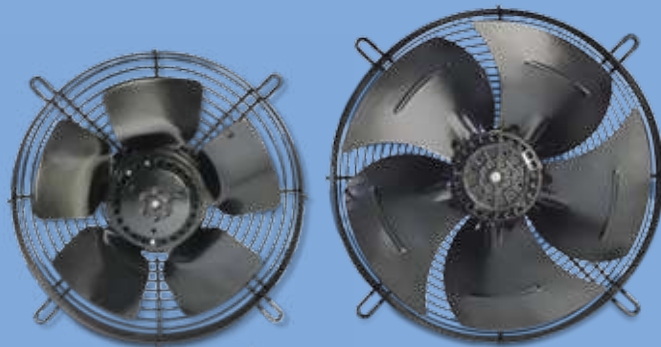
Plastic Finger Guards



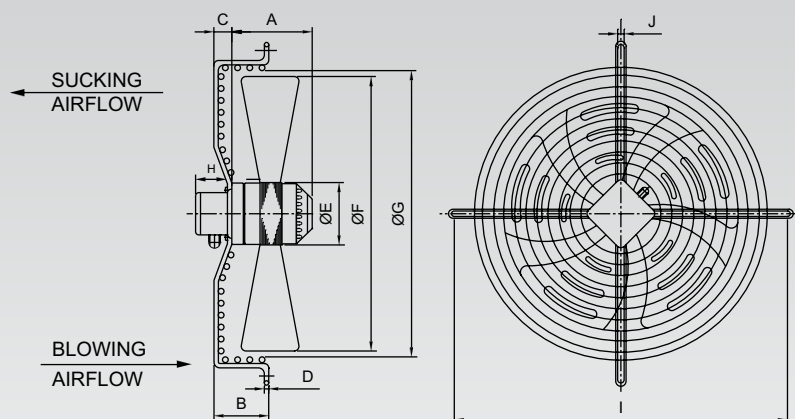
Metal Finger Guards - Chrome & Powder Coated



Filter Kits



Large Axial Fans


Dimensions (mm)

Size	A	B	C	D	E	F	G	H	I	J
200	66	45	-	4	92	200	220	60	245	6
250	76	55	-	4	92	250	275	60	320	7
300	86	80	30	4	92	300	320	60	360	7
350	104	80	30	5	102	350	370	60	422	9.5
400	117	90	30	5	102	400	420	60	470	9.5
450	130	90	30	6	102	450	470	60	522	9.5
500	129	90	30	6	137	500	520	60	570	10.5
550	144	100	30	6	137	550	570	60	622	10.5
600	164	100	30	7.5	137	600	620	60	679	10.5
630	164	100	30	7.5	137	630	650	60	750	10.5
710	191	175	55	10	180	703	770	60	840	14.0
800	191	175	55	10	180	784	857	60	920	14.0

Specifications

Model	Size in inch	Poles	Phase	Voltage (VAC)	Current (A)	Power (W)	Speed (RPM)	Airflow (M ³ /hr)	Airflow (CFM)	Noise dBA	Capacitor uf	wt Kg
2E-200	8	2	Single	230	0.26	55	2300	900	530	50	2	2.5
4E-200	8	4	Single	230	0.21	40	1400	480	283	45	1.5	3.0
4D-200	8	4	Three	415	0.10	30	1450	550	324	45	-	3.0
2E-250	10	2	Single	230	0.40	80	2400	1800	1059	65	3	3.0
4E-250	10	4	Single	230	0.23	50	1380	1100	647	55	2	3.0
4D-250	10	4	Three	415	0.17	60	1400	1025	603	55	-	3.0
2E-300	12	2	Single	230	0.65	145	2300	2800	1648	70	4	3.3
4E-300	12	4	Single	230	0.42	85	1350	1820	1071	58	3	3.3
4D-300	12	4	Three	415	0.22	75	1380	1850	1089	58	-	3.3
4E-350	14	4	Single	230	0.65	140	1380	3100	1825	62	4	4.9
4D-350	14	4	Three	380	0.38	140	1380	3125	1839	62	-	4.9
4E-400	16	4	Single	230	0.82	180	1380	4000	2354	68	6	5.6
4D-400	16	4	Three	415	0.47	180	1380	4080	2401	68	-	5.6
4E-450	18	4	Single	230	1.20	250	1350	5100	3002	68	8	7.2
4D-450	18	4	Three	415	0.60	250	1360	5200	3061	68	-	7.2
4E-500	20	4	Single	230	1.85	420	1300	7700	4532	72	10	9.5
4D-500	20	4	Three	415	0.90	450	1300	7800	4591	72	-	9.5
4E-550	22	4	Single	230	2.55	550	1300	9200	5415	75	12	10.5
4D-550	22	4	Three	415	1.20	600	1300	9300	5474	75	-	10.5
4E-600	24	4	Single	230	3.00	700	1360	11000	6474	78	16	14.0
4D-600	24	4	Three	415	1.60	780	1350	12000	7063	78	-	14.0
6D-600	24	6	Three	415	1.50	500	900	8900	5238	72	-	14.0
4D-630	25	6	Three	415	1.60	800	1320	14000	8240	78	-	15.0
6D-630	25	6	Three	415	1.60	550	900	9700	5709	75	-	15.0
6D-710	28	6	Three	Δ415	1.90	900	900	16200	9535	80	-	25.0
6D-710	28	6	Three	Y415	1.15	650	730	13100	7710	80	-	25.0
6D-800	32	6	Three	Δ415	3.50	1790	890	20100	11830	82	-	35.0
6D-800	32	6	Three	Y415	2.23	1230	680	16100	9476	82	-	35.0

Frequency (Hz) - 50

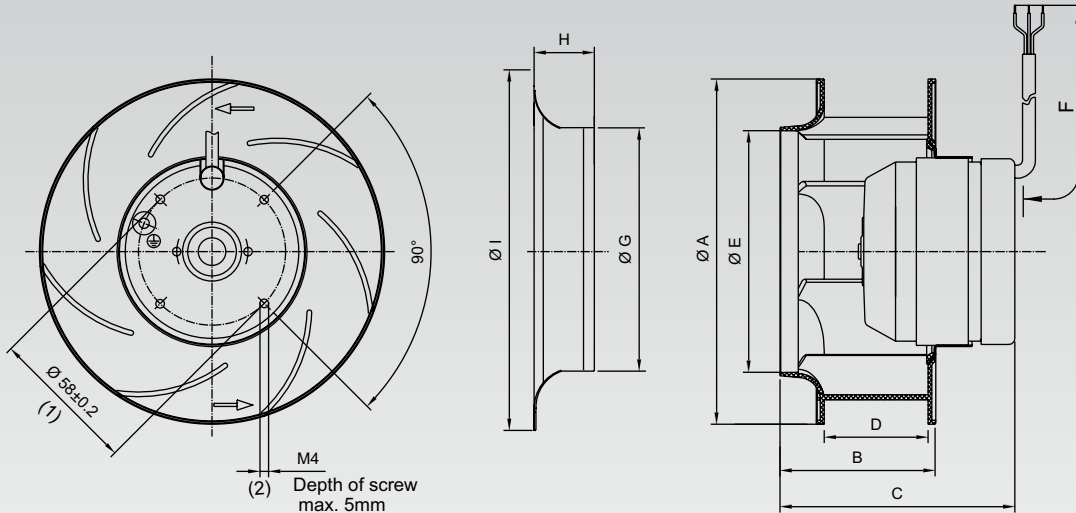
E-Single Phase D- Three Phase

All models available in Suction (S) and Blow (B)

Specifications subject to change without notice



Backward Curved Fans



Only for BCF-315, 355 & 400
(1) \varnothing 90
(2) M6 and Depth of screw
max.12mm

Dimensions (mm)

Model	A	B	C	D	E	F	G	H	I
BCF - 133	133	60	90.5	40	93	660	87	13	129
BCF - 175	175	62	69	42.4	131	660	125	14	170
BCF - 190	190	61.5	68.5	44.6	133	660	125	14	170
BCF - 220	222.5	64	71	44	161.5	660	156.2	21	252
BCF - 225AA	225	63.8	69	38	153	660	145	28	223
BCF - 225BB	225	89	101	62.5	154	500	145	28	223
BCF - 250	251	85.3	99	56.6	174	550	167	33	255
BCF - 315	315	138	176.5	90	220	450	210	27	300
BCF - 355	355	148	186.5	95	280	490	239	31	350
BCF - 400	400	146	184.5	95	270	450	255	58	370

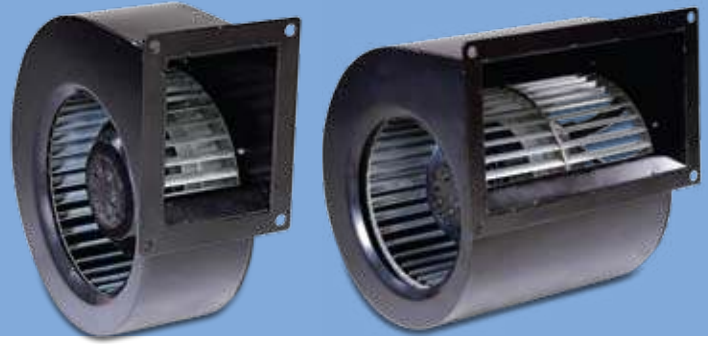
Specifications

Model	Size mm	Phase	Voltage (VAC)	Frequency (Hz)	Current (A)	Power (W)	Speed (RPM)	Airflow (M ³ /hr)	Noise dBA	Cap μ f/450V	wt Kg
BCF - 133	\varnothing 133×60	Single	230	50/60	0.20/0.20	33/33	2550/2780	220/230	60/62	-	1.0
BCF - 175	\varnothing 175×62	Single	230	50/60	0.39/0.34	61/62	2350/2200	440/420	63/62	-	1.2
BCF - 190	\varnothing 190×62	Single	230	50/60	0.39/0.48	87/109	2600/2900	570/630	68/71	3	1.6
BCF - 220	\varnothing 220×64	Single	230	50/60	0.4/0.50	95/120	2400/2600	800/865	69/71	3	2.7
BCF - 225AA	\varnothing 225×64	Single	230	50/60	0.53/0.64	110/145	2650/2950	860/950	72/75	3	2.4
BCF - 225BB	\varnothing 225×89	Single	230	50/60	0.80/0.86	147/195	2680/3100	1200/1350	74/78	5	2.7
BCF - 250	\varnothing 250×86	Single	230	50/60	0.76/1.08A	173/245	2600/2790	1400/1460	75/76	5	3.0
BCF - 315	\varnothing 315×138	Single	230	50	0.65	140	1380	1550	64	4	4.5
BCF - 355	\varnothing 355×148	Single	230	50	0.83	180	1380	2250	66	6	5.6
BCF - 400	\varnothing 400×146	Single	230	50	1.09	240	1365	2600	68	8	6.8

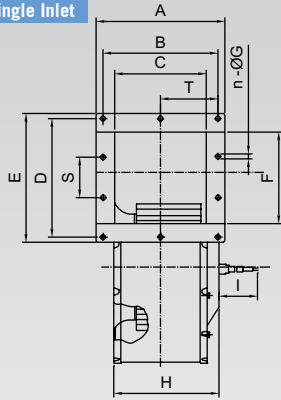
Available in DC Voltages
Few sizes available in 3 Phase

Specifications subject to change without notice

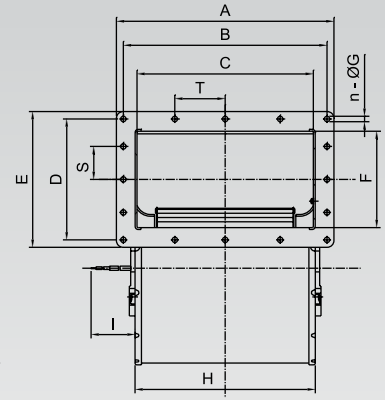
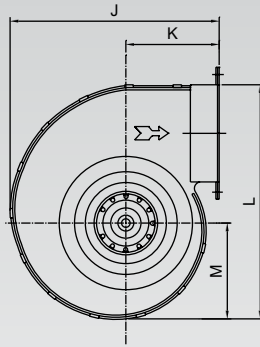
Centrifugal Blowers



Single Inlet



Dual Inlet



Dimensions (mm)

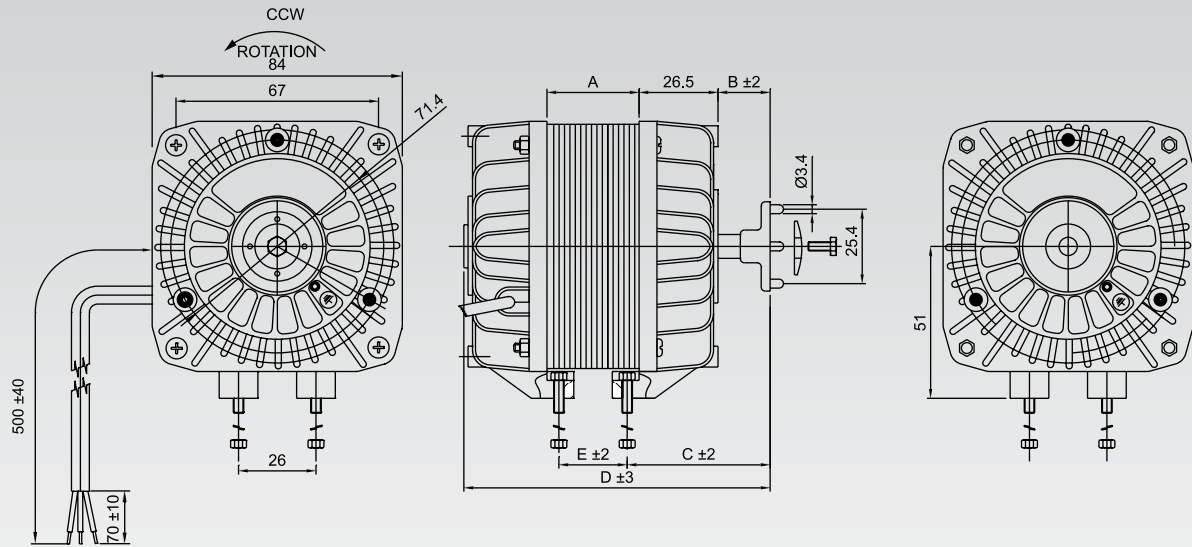
Model	A	B	C	D	E	F	n-ΦG	H	I	J	K	L	M	S	T
Single Inlet															
CFB2E-140S	130	115	94	110	127.5	92	4-6.5	97	1000	228	105	245	107	-	-
CFB2E-160S	130	115	94	110	127.5	92	4-6.5	97	1000	228	105	245	107	-	-
CFB2E-180S	125	110	85	135	150	110	4-7.0	132	1000	261	120	281	123	-	-
CFB4E-180S	180	2X80	130	3X85	275	225	10-7.0	158	1000	297	133	333	136	85	80
CFB4E-200S	195	2X87.5	145	2X90	199.5	150	8-7.0	172	1000	329	147	371	151.5	-	87.5
CFB4D-225S	195	2X87.5	145	3X93	299.5	250	10-7.0	181	1000	328	158	371	151.5	93	87.5
Dual Inlet															
CFB2E-133D	255	237	215	92	110	70	6-Φ6.0	217	1000	174	90	180	79	-	-
CFB2E-146D	270	252	230	122	140	100	6-Φ6.0	232	1000	210	100	218	97	-	-
CFB4E-160D	310	4X73.5	270	129	145	105	12-Φ6.0	312	1000	228	105	245	107	-	73.5
CFB4D-180D	300	4X70	250	4X63.5	275	225	16-Φ7.0	252	1000	297	133	333	136	63.5	70
CFB4D-200D	330	4X77.5	280	4X70	300	250	16-Φ7.0	282	1000	329	147	370	151	70	77.5
CFB4D-225D	330	4X77.5	280	4X70	300	250	16-Φ7.0	282	1000	328	158	370	151	70	77.5

Specifications

Model	Size mm	Phase	Voltage (VAC)	Frequency (Hz)	Current (A)	Power (W)	Speed (RPM)	Airflow (M ³ /hr)	Noise (dBA)	Cap μf/450V	wt Kg
Single Inlet											
CFB2E-140S	Φ140X65	Single	230	50	0.75	165	2420	480	73	4.0	2.9
CFB2E-160S	Φ160X65	Single	230	50	1.15	240	2100	600	73	6.0	4.0
CFB2E-180S	Φ180X55	Single	230	50	1.85	420	2000	750	74	8.0	6.1
CFB4E-180S	Φ180X95	Single	230	50	0.99	230	1318	1130	73	5.0	6.6
CFB4E-200S	Φ200X105	Single	230	50	1.30	290	1320	1365	70	8.0	8.0
CFB4D-225S	Φ225X105	Three	415	50	0.84	460	1310	1800	76	-	10.0
Dual Inlet											
CFB2E-133D	Φ133X180	Single	230	50	0.85	190	1500	680	60	3.0	3.7
CFB2E-146D	Φ146X180	Single	230	50	1.10	250	1660	950	61	6.0	4.5
CFB4E-160D	Φ160X210	Single	230	50	0.81	180	1300	1240	64	5.0	6.0
CFB4D-180D	Φ180X195	Three	415	50	0.55	290	1050	1900	63	-	9.8
CFB4D-200D	Φ200X210	Three	415	50	0.91	480	1100	2500	64	-	12
CFB4D-225D	Φ225X210	Three	415	50	1.17	690	1050	2950	65	-	12.6

Specifications subject to change without notice

Q Motors



Dimensions (mm)

Model	A	B	C	D	E
83 A 230 SAC-5	13	13	44	79	
83 A 230 SAC-7	20	13	44	85	
83 A 230 SAC-10	20	13	44	85	
83 A 230 SAC-16	25	14	45	92	
83 A 230 SAC-18	30	17	48	101	21
83 A 230 SAC-25	40	18	49	112	31
83 A 230 SAC-34	45	22	53	121	36

Specifications

Model	Poles	Voltage (VAC)	Frequency (Hz)	Input Watt	Output Watt	Speed (RPM)	Fan Blade	Rotation
83 A 230 SAC-5	4	230	50Hz	30	5	1300	200	CCW
83 A 230 SAC-7	4	230	50Hz	35	7	1300	230	CCW
83 A 230 SAC-10	4	230	50Hz	45	10	1300	230	CCW
83 A 230 SAC-16	4	230	50Hz	50	16	1300	254	CCW
83 A 230 SAC-18	4	230	50Hz	70	18	1300	254	CCW
83 A 230 SAC-25	4	230	50Hz	90	25	1300	300	CCW
83 A 230 SAC-34	4	230	50Hz	110	34	1300	300	CCW

Specifications subject to change without notice

Accessories



Aluminium Blades(sucking & blowing) available in dia 154,172,200,230,254&300mm.Pitch available from 19° upto 34°



Bracket

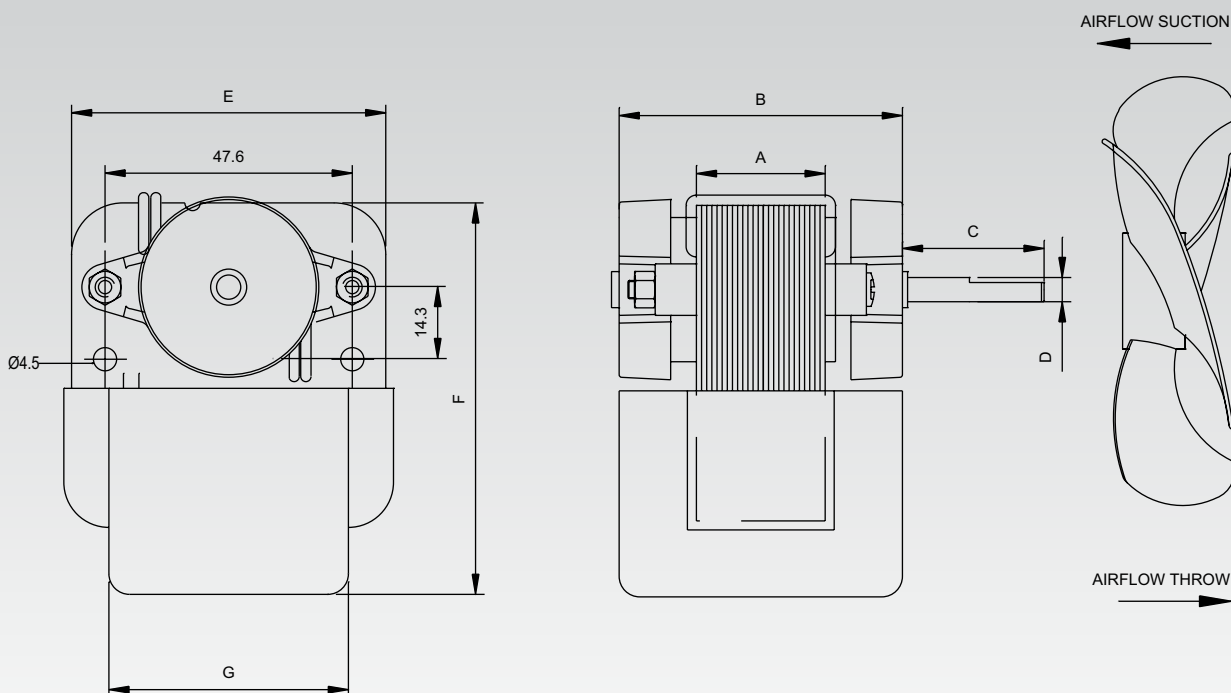
Wall Ring

Basket Grill

Ventury Frame Motor



C Frame Motors



Dimensions (mm)

Model No.	A	B	C	D	E	F	G
61P230SAC-10	10	41	25	3.18	61.0	71	38
63A230SAC-15	15	46	18	4.76	63.5	76	38
61A230SAC-25	25	56	21	4.76	61.0	76	47

Specifications

Model No.	Voltage (VAC)	Frequency (Hz)	Current (mA)	Speed (RPM)	Watt (W)	Air Flow (CFM)	Static Pressure (mm H ₂ O)	Noise (dBA)
61P230SAC-10	230	50	100	2600	8	70	6	35
63A230SAC-15	230	50	200	2400	24	100	7	35
61A230SAC-25	230	50	300	2200	35	150	10	40

Specifications subject to change without notice

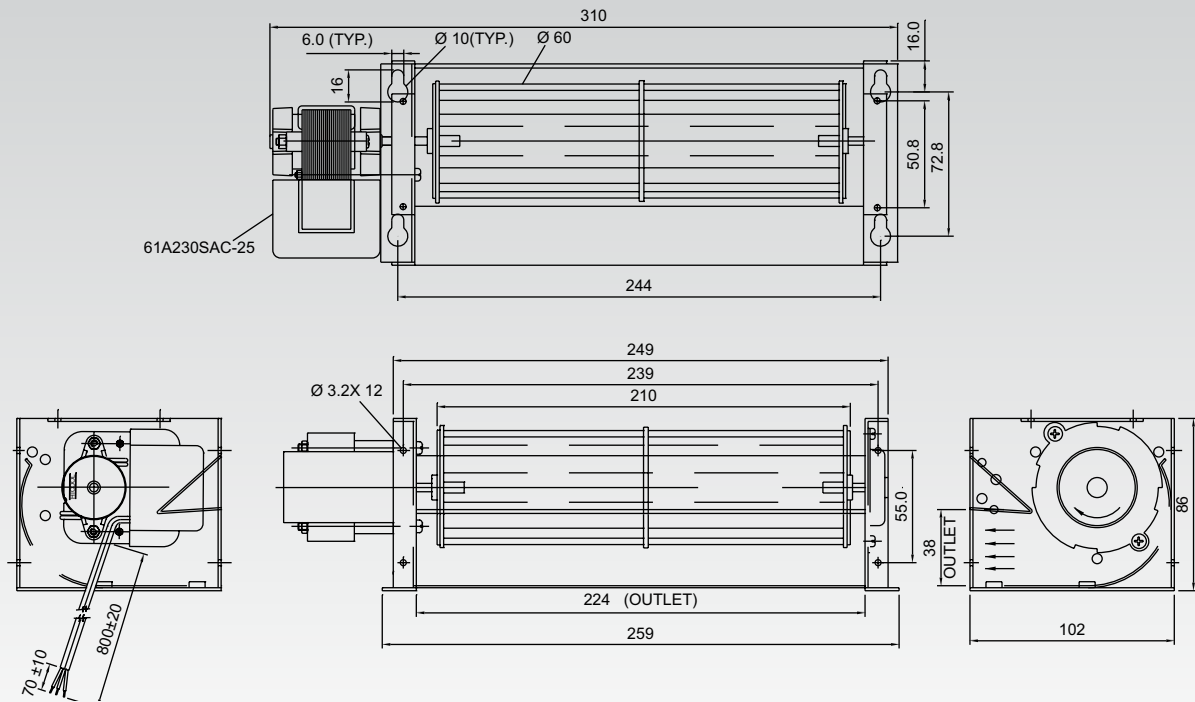
Accessories



Plastic Impellers (150 mm & 100mm)

Bracket

Cross Flow Blower



Specifications

Model No.	Voltage (VAC)	Frequency (Hz)	Current (mA)	Speed (RPM)	Watt (W)	Air Flow (CFM)	Static Pressure (mm H ₂ O)	Noise (dBA)
310A230SAC	230	50	300	1800	35	130	5	40

Specifications subject to change without notice

NOTES



Hicool Electronic Industries

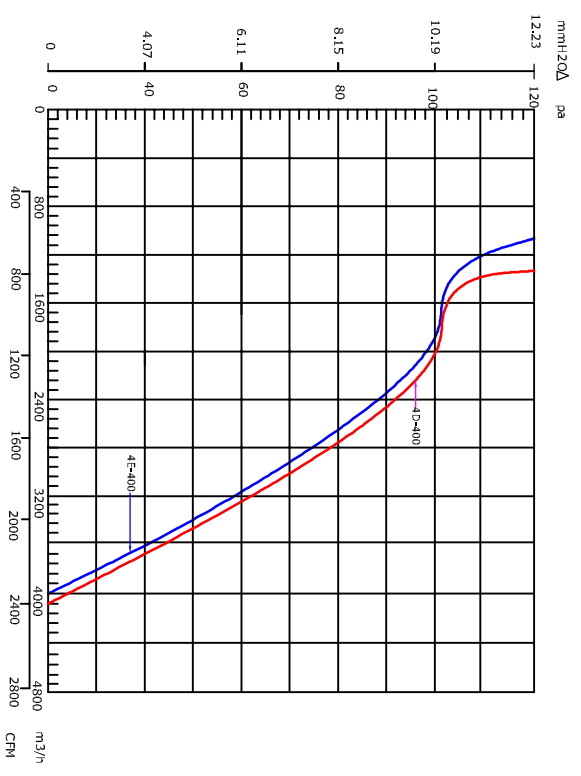
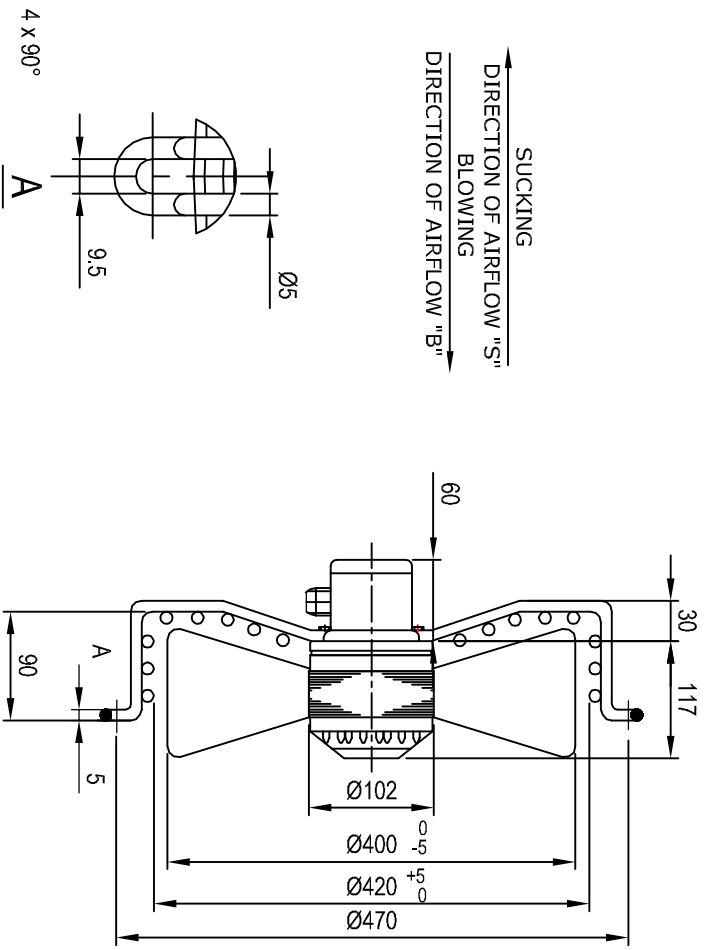
Plot No. A-104, TTC Industrial Area, MIDC, Khairne, Navi Mumbai - 400 710. INDIA

Tel: +91-22 - 41425555, 27614108/09

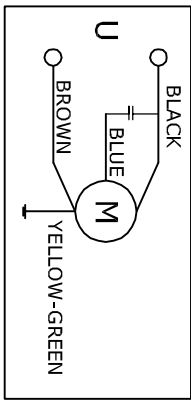
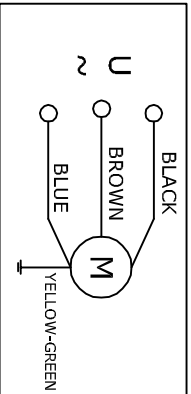
Fax: +91-22 - 41425599 **Email:** sales@hicoolfans.com

www.hicoolfans.com

HICOOLTM
Air Moving Products



WIRING DIAGRAMS :



TYPE	VOLTAGE V	FREQUENCY Hz	INPUT POWER W	CURRENT A	SPEED RPM±5%	AIR VOLUME m³/h	NOISE LEVEL dbA	CAPACITOR µ F/450VAC
4E - 400	230	50	180	0.82	1380	4000	68	6
4D - 400	415	50	180	0.47	1380	4080	68	---

INSULATION CLASS : F

PERMISSIBLE AMBIENT TEMPERATURE : - 40 °C TO + 60°C

MOTOR PROTECTION : THERMAL PROTECTION

PROTECTION CLASS : IP44 IN ACCORDANCE WITH EN 60034-5

ELECTRICAL CONNECTION : LEAD WIRE SILICON 4G 0.50mm², CONNECTION TERMINAL BOX

DIRECTION OF ROTATION : CLOCKWISE (SUCKING), AIRFLOW DIRECTION : "S" LOOKING AT ROTOR SIDE
 ANTICLOCKWISE (BLOWING), AIRFLOW DIRECTION: "B" LOOKING AT ROTOR SIDE

MATERIAL/SURFACE TREATMENT : ROTOR WITH CONDENSATION DRAIN HOLES VARNISHED BLACK,
 STATOR MOISTURE PROTECTED, GUARD GRILL PLASTIC COATED.

BALANCING GRADE : FAN BALANCED DYNAMICALLY IN TWO PLANES. G6.3

NO.	PART'S CODE	PART NAME	PIECES	MATERIAL
		LARGE AXIAL FAN		HICOOL Air Moving Products

MARK	QTY.	REMARKS	MODIFIED BY	DATE	WEIGHT	SCALE	SERIES-400
DESIGNED BY			MANBU		5.6kg	NTS	
CHECKED BY			SAM				
APPROVED BY							
DATE				25/10/09			